



AS-i data decoupler 2 x 4 A Spring-type terminals, AS-i dual Data decoupling module IP20, SlimLine S22.5 spring-type terminals Overall width module 22.5 mm IN: 24 V / 30 V DC OUT: 2 x AS-i, 4 A Integrated overload protection Integrated ground fault detection Signaling contact Remote reset

General technical data		
product designation		Twin data decoupling module
design of the product		SlimLine S22.5 - Module to be used in the IP20 control cabinet
protection class IP		IP20
installation altitude at height above sea level maximum	m	2 000
<ul style="list-style-type: none"> ambient temperature during operation 	°C	-25 ... +70
relative humidity at 25 °C during operation maximum	%	70
reference code acc. to DIN 40719 extended according to IEC 204-2 acc. to IEC 750		A
reference code acc. to DIN EN 61346-2		A
supplied active power	W	240
mechanical service life (switching cycles) of the signaling contacts typical		1 000 000
product function <ul style="list-style-type: none"> auto-RESET external reset manual RESET ground fault detection test function of signaling contacts suitable for grounded AS-i networks adapted for non-grounded AS-i networks suitable for AS-i Power24V sequential connected time-delay AS-Interface data decoupling 		No Yes Yes Yes Yes Yes Yes Yes Yes Yes Yes
reset function <ul style="list-style-type: none"> adjustable current response value current of the current-dependent overload release 	A	yes 2.5 ... 4
number of electrical connections for signaling contact		3
number of outputs for AS-Interface maximum		2
display version as status display by LED		yes
number of switching contacts as NO contact for signaling function		2
design of the switching contact as NO contact for signaling function		yes
response delay of the sequential connection delay	ms	200
Communication/ Protocol		
protocol is supported AS-Interface protocol		Yes

Auxiliary circuit		
operational current of auxiliary contacts		
• at AC-15 at 24 V	A	3
• at DC-13 at 24 V	A	1
Inputs/ Outputs		
type of voltage		
• of the input voltages		DC
• of the input voltage		DC
property of the output short-circuit proof		Yes
output voltage		
• 1 at DC		
— rated value	V	30
— rated value	V	20.5 ... 31.6
• 2 at DC rated value	V	24
output current at DC maximum	A	4
input voltage		
• 1 at DC		
— rated value	V	30
— rated value	V	21 ... 32
• 2 at DC rated value	V	24
input current at DC maximum	A	8.2
Short-circuit protection		
design of short-circuit protection		electronic
Installation/ mounting/ dimensions		
mounting position		vertical
fastening method		35-mm DIN rail mounting or wall mounting with plug-in flaps
width	mm	22.5
height	mm	104.9
depth	mm	121.2
type of electrical connection for auxiliary and control circuit		spring-loaded terminals
product function removable terminal for auxiliary and control circuit		Yes
type of connectable conductor cross-sections		
• for auxiliary contacts		
— solid		2x (0.25 ... 1.5 mm ²)
— finely stranded		
— with core end processing		2x (0.25 ... 1.5 mm ²)
— without core end processing		2x (0.25 ... 1.5 mm ²)
• at AWG cables for auxiliary contacts		2x (24 ... 16)
certificate of suitability		CE / UL / CSA
suitability for use safety-related circuits		Yes
Certificates/ approvals		
General Product Approval	EMC	Declaration of Conformity



[Miscellaneous](#)

Shipping Approval

other



[Confirmation](#)

Further information

Information- and Downloadcenter (Catalogs, Brochures,...)

<https://www.siemens.com/ic10>

Industry Mall (Online ordering system)

<https://mall.industry.siemens.com/mall/en/en/Catalog/product?mlfb=3RK1901-1DG22-1AA0>

Cax online generator

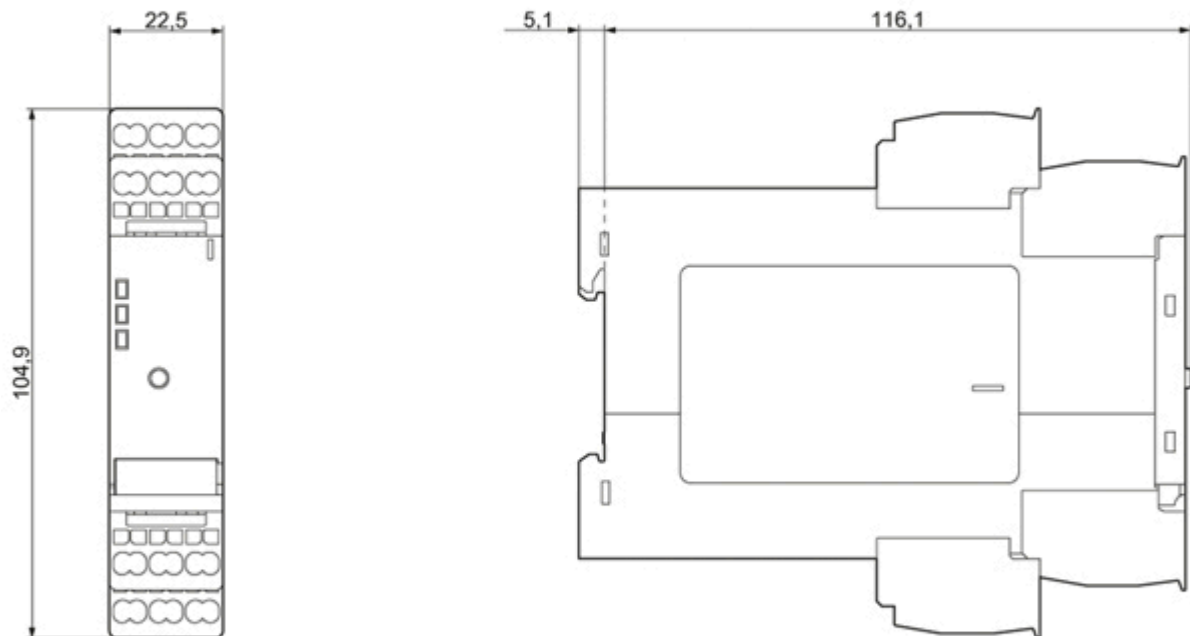
<http://support.automation.siemens.com/WW/CAXorder/default.aspx?lang=en&mlfb=3RK1901-1DG22-1AA0>

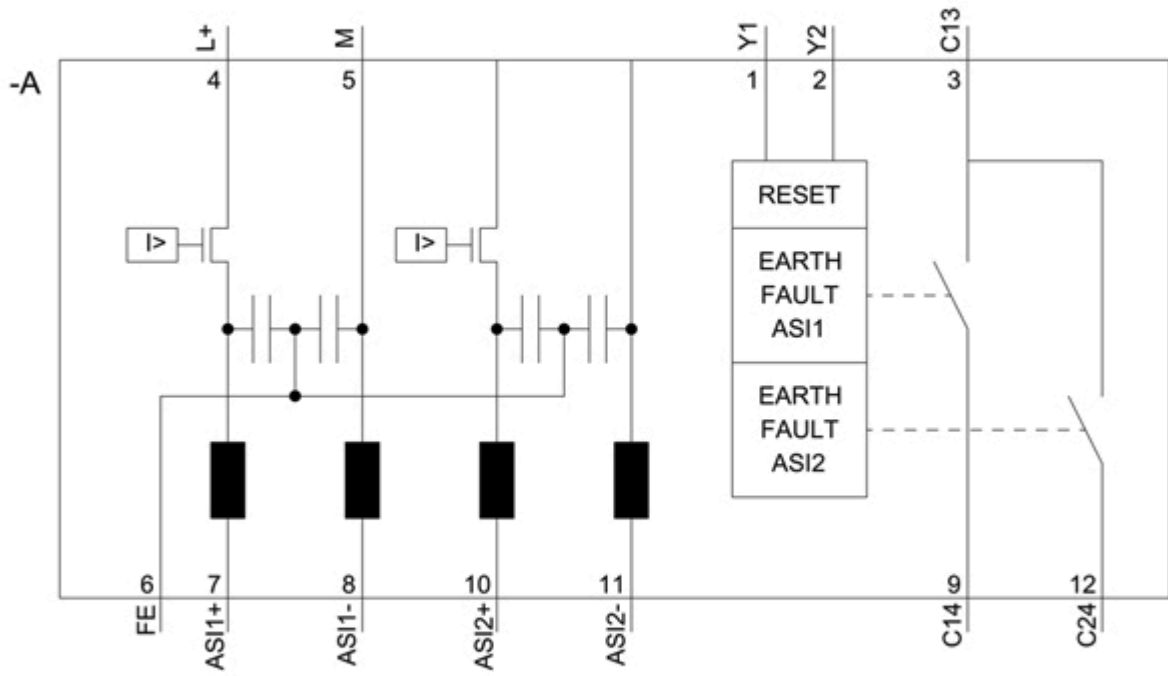
Service&Support (Manuals, Certificates, Characteristics, FAQs,...)

<https://support.industry.siemens.com/cs/ww/en/ps/3RK1901-1DG22-1AA0>

Image database (product images, 2D dimension drawings, 3D models, device circuit diagrams, EPLAN macros, ...)

http://www.automation.siemens.com/bilddb/cax_de.aspx?mlfb=3RK1901-1DG22-1AA0&lang=en





last modified:

1/8/2021 