

Level Measurement

Continuous level measurement
Radar transmitters

SITRANS LR250 Flanged Encapsulated Antenna

Overview



SITRANS LR250 with flanged encapsulated antenna is a 2-wire, 25 GHz pulse radar level transmitter for continuous monitoring of liquids and slurries in storage and process vessels including corrosives or aggressive materials, to a range of 20 m (66 ft) (antenna dependent).

Benefits

- Fully encapsulated horn antenna design with FDA approved TFM 1600 PTFE lens for use in chemical and sanitary environments where aggressive and corrosive materials are used
- Cost effective replacement for transmitters made of exotic materials
- Graphical local user interface (LUI) makes operation simple with plug-and-play setup using the intuitive Quick Start Wizard
- LUI displays echo profiles for diagnostic support
- 25 GHz high frequency and 50 mm (2 inch) process connection/antenna allow for easy mounting
- Insensitive to mounting location and obstructions, and less sensitive to nozzle interference
- Short blanking distance for improved minimum measuring range to 50 mm (2 inch) from the end of the antenna
- Communication using HART, PROFIBUS PA, or FOUNDATION Fieldbus
- Process Intelligence signal processing for improved measurement reliability and Auto False-Echo Suppression of fixed obstructions
- Programming using infrared Intrinsically Safe handheld programmer or over a network using SIMATIC PDM, Emerson AMS, or Field Device Tools such as PACTware or Fieldcare via SITRANS DTM
- Functional Safety (SIL 2). Device suitable for use in accordance with IEC 61508 and IEC 61511
- Suitable for API 2350

Application

SITRANS LR250 includes a graphical local user interface (LUI) that improves setup and operation by including an intuitive Quick Start Wizard, and echo profile displays for diagnostic support. Startup is easy using Quick Start Wizard with a few parameters required for basic operation.

The 25 GHz frequency creates a narrow, focused beam allowing for smaller antenna options and decreasing sensitivity to obstructions.

SITRANS LR250's unique design allows safe and simple programming using the Intrinsically Safe handheld programmer without having to open the instrument's lid.

SITRANS LR250 measures superbly in small vessels and in tanks/vessels up to 20 m (66 ft) on materials with $dk > 1.6$.

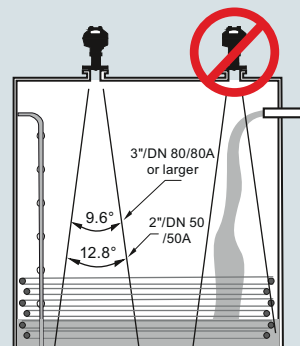
- Key Applications: liquid bulk storage tanks, process vessels with agitators, vaporous liquids, temperatures to 170 °C (338 °F), corrosive and aggressive materials and applications where ease of cleaning is required such as food or fine chemicals

Configuration

Installation

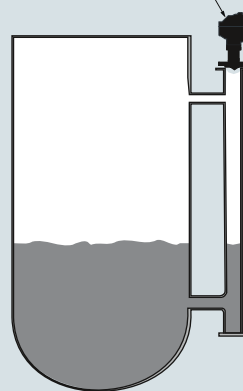
Note:

- Beam angle is the width of the cone where the energy density is half of the peak energy density.
- The peak energy density is directly in front of and in line with the antenna.
- There is a signal transmitted outside of the beam angle; therefore false targets may be detected.



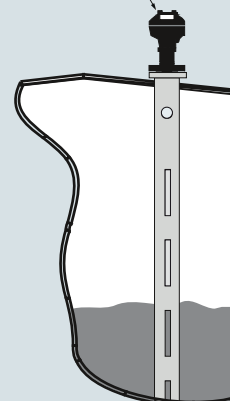
Mounting on bypass

Orient front or back of device toward vent.

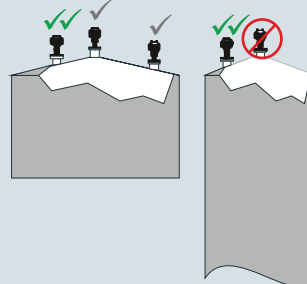


Mounting on stilling well

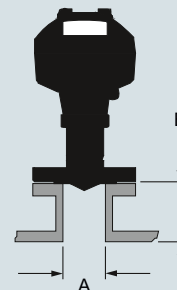
Orient front or back of device toward stillpipe slots.



Mounting on vessel



Mounting on a nozzle



A	B*
ø 50 (2)	500 (20) max.
ø 80 (3)	500 (20) max.
ø 100 (4)	500 (20) max.
ø 150 (6)	500 (20) max.

*Reference conditions

SITRANS LR250 Flanged Encapsulated Antenna installation, dimensions in mm (inch)

Technical specifications

Mode of operation		Process connections	
Measuring principle	Radar level measurement	Flanged connection	Raised Face
Frequency	K-band (25.0 GHz)		<ul style="list-style-type: none"> • 2, 3, 4, 6" Class 150 ASME B16.5 • 50A, 80A, 100A, 150A 10K JIS B 2220 • DN 50, DN 80, DN 100 & DN 150 PN 10/16 EN 1092-1 type B1
Minimum measuring range	50 mm (2 inch) from end of antenna		
Maximum measuring range	20 m (66 ft)		
Output		Power supply	
HART	Version 5.1	4 ... 20 mA/HART	Nominal 24 V DC (max. 30 V DC) with max. 550 Ω
<ul style="list-style-type: none"> • Analog output • Accuracy • Fail-safe 	4 ... 20 mA ± 0.02 mA <ul style="list-style-type: none"> • Programmable as high low or hold (loss of echo) • NE 43 programmable 	PROFIBUS PA	<ul style="list-style-type: none"> • 15 mA • Per IEC 61158-2
PROFIBUS PA	Profile 3.01	FOUNDATION Fieldbus	<ul style="list-style-type: none"> • 20.0 mA • Per IEC 61158-2
<ul style="list-style-type: none"> • Function blocks 	2 Analog Input (AI)		
FOUNDATION Fieldbus	H1		
<ul style="list-style-type: none"> • Functionality • Version • Function blocks 	Basic or LAS ITK 5.2.0 2 Analog Input (AI)	Certificates and approvals	
Performance (according to reference conditions IEC60770-1)		General	
Maximum measured error	<ul style="list-style-type: none"> • > 500 mm from sensor reference point: 3 mm (0.118 inch) • < 500 mm from sensor reference point: 25 mm (1 inch) 	Radio	CSA _{US/C} , CE, FM, RCM
Influence of ambient temperature	< 0.003 %/K	Hazardous	FCC, Industry Canada, RED, RCM
Rated operating conditions		<ul style="list-style-type: none"> • Explosion Proof (Brazil) • Increased Safety (Brazil) • Intrinsically Safe (Brazil) • Explosion Proof (Canada/USA) • Intrinsically Safe (Canada/USA) • Non-incendive (Canada/USA) • Flame Proof/Increased Safety (China) • Intrinsically Safe (China) • Non-sparking/Energy Limited (China) • Intrinsically Safe (Europe) • Non-sparking/Energy Limited (Europe) • Flame Proof (International/Europe) • Increased Safety (-International/Europe) • Intrinsically Safe (International) • Explosion Proof (Russia/Kazakhstan) • Increased Safety (Russia/Kazakhstan) • Intrinsically Safe (Russia/Kazakhstan) • Marine • Functional Safety 	INMETRO Ex d ia mb IIC T4 Ga/Gb, Ex ia ta IIIC T100 °C Da INMETRO Ex e ia mb IIC T4 Ga/Gb, Ex ia ta IIIC T100 °C Da INMETRO Ex ia IIC T4 Ga, Ex ia ta IIIC T100 °C Da CSA/FM Class I, Div. 1, Groups A, B, C, D; Class II, Div. 1, Groups E, F, G; Class III T4 CSA/FM Class I, Div. 1, Groups A, B, C, D; Class II, Div. 1, Groups E, F, G; Class III T4 CSA/FM Class I, Div. 2, Groups A, B, C, D T5 NEPSI Ex d ia mb IIC T4 Ga/Gb, Ex e ia mb IIC T4 Ga/Gb, Ex ia d tD A20 IP67 T100 °C NEPSI Ex ia IIC T4 Ga, Ex ia d tD A20 IP67 T100 °C NEPSI Ex nA IIC T4 Gc ATEX II 1G Ex ia IIC T4 Ga ATEX II 1D Ex ia ta IIIC T100 °C Da ATEX II 3G Ex nA IIC T4 Gc IECEx/ATEX II 1/2 GD, 1D, 2D Ex d mb ia IIC T4 Ga/Gb, Ex ia ta IIC T100 °C Da IECEx/ATEX II 1/2 GD, 1D, 2D, Ex e mb ia IIC T4 Ga/Gb, Ex ia ta IIIC T100 °C Da IECEx/ATEX II 1 G Ex ia IIC T4 Ga, IECEx/ATEX II 1D Ex ia ta IIIC T100 °C Da EAC Ex d EAC Ex e EAC Ex ia Lloyd's Register of Shipping ABS Type Approval Bureau Veritas SIL-2 suitable in accordance with IEC 61508/61511
Medium conditions			
Dielectric constant ϵ_r	≥ 1.6 (antenna dependent)		
Process temperature	-40 ... +170 °C (-40 ... +338 °F) at process connection		
Process pressure	See Pressure/Temperature curves for more information (page 4/242)		
Design			
Enclosure			
<ul style="list-style-type: none"> • Material • Cable inlet 	Aluminum, polyester powder-coated 2 x M20 x 1.5 or 2 x 1/2" NPT		
Degree of protection	Type 4X/NEMA 4X, Type 6/NEMA 6, IP67, IP68		
Weight (dependent on process connection)	<ul style="list-style-type: none"> • Approx. 7 kg (15.43 lb) for 2" Class 150 ASME B16.5 raised face flange (smallest size) • Approx. 17.7 kg (39.02 lb) for 6" Class 150 ASME B16.5 raised face flange (largest size) 		
Display (local)	Graphic local user interface including quick start wizard and echo profile display		
Antenna			
<ul style="list-style-type: none"> • Material • Dimensions (nominal sizes) 	Stainless Steel 316L (1.4435 or 1.4404) and TFM 1600 PTFE Lens (lens is the only wetted part) 48 mm (2 inch), 80 mm (3 inch), 100 mm (4 inch), 150 mm (6 inch)		

Level Measurement

Continuous level measurement
Radar transmitters

SITRANS LR250 Flanged Encapsulated Antenna

Programming

Intrinsically Safe Siemens handheld programmer

- Approvals for handheld-programmer

Handheld communicator

PC

Display (local)

Infrared receiver

IS model: ATEX II 1 GD Ex ia IIC T4 Ga Ex ia D 20 T135 °C T_a = -20 ... +50 °C CSA/FM Class I, II, III, Div. 1, Groups A, B, C, D, E, F, G, T6 T_a = 50 °C IECEx SIR 09.0073


HART communicator 375/475


- SIMATIC PDM
- Emerson AMS
- SITRANS DTM (for connection into FDT such as PACTware or Field-care)

Graphic local user interface including quick start wizard and echo profile displays

Selection and Ordering data

Article No.

SITRANS LR250 flanged encapsulated antenna  **7ML5432-00-00**
2-wire, 25 GHz pulse radar level transmitter for continuous monitoring of liquids and slurries in storage and process vessels including high temperature and pressure, to a range of 20 m (66 ft) (antenna dependant). Ideal for corrosive, aggressive and low dielectric media.

 Click on the Article No. for the online configuration in the PIA Life Cycle Portal.

Process Connection Material
Stainless steel 1.4404/1.4435

Process Connection Type
Flanged Process Connection Types
(stainless steel 1.4404/1.4435)

- 2" Class 150 ASME B16.5 raised face¹⁾
- 3" Class 150 ASME B16.5 raised face
- 4" Class 150 ASME B16.5 raised face
- 6" Class 150 ASME B16.5 raised face
- 50A 10K JIS B 2220 raised face¹⁾
- 80A 10K JIS B 2220 raised face
- 100A 10K JIS B 2220 raised face
- 150A 10K JIS B 2220 raised face
- DN 50 PN 10/16 EN 1092-1 type B1 raised face¹⁾
- DN 80 PN 10/16 EN 1092-1 type B1 raised face
- DN 100 PN 10/16 EN 1092-1 type B1 raised face
- DN 150 PN 10/16 EN 1092-1 type B1 raised face

Communication/Output

- PROFIBUS PA
- 4 ... 20 mA, HART, start-up at < 3.6 mA
- FOUNDATION Fieldbus

Enclosure/Cable inlet

- Aluminum, Epoxy painted
- 2 x 1/2" NPT
- 2 x M20 x 1.5

Antenna lens material

TFM 1600 PTFE Flush Lens

Approvals

- General Purpose, CE, CSA, FM, FCC, RED, RCM
- Intrinsically Safe: CSA/FM Class I, Div. 1, Groups A, B, C, D, Class II, Div. 1, Groups E, F, G, Class III T4 FCC, Industry Canada
- Intrinsically Safe: IECEx/ATEX II 1 G Ex ia IIC T4 Ga, IECEx/ATEX II 1D Ex ia ta IIIC T100 °C Da, INMETRO Ex ia IIC T4 Ga, Ex ia ta IIIC T100 °C Da, CE, RED, RCM
- Non-incendive: CSA/FM Class I, Div. 2, Groups A, B, C, D T5, FCC, Industry Canada
- Non Sparking: ATEX II 3G Ex nA IIC T4 Gc, CE, RED, RCM
- Increased Safety: IECEx/ATEX II 1/2 GD, 1D, 2D Ex e mb ia IIC T4 Ga/Gb, Ex ia ta IIIC T100 °C Da, INMETRO Ex e ia mb IIC T4 Ga/Gb, Ex ia ta IIIC T100 °C Da, CE, RED, RCM²⁾
- Flameproof: IECEx/ATEX II 1/2 GD 1D, 2D Ex d mb ia IIC T4 Ga/Gb, Ex ia ta IIIC T100 °C Da, INMETRO Ex d ia mb IIC T4 Ga/Gb, Ex ia ta IIIC T100 °C Da, CE, RED, RCM²⁾
- Explosion proof: CSA/FM Class I, II and III, Div. 1, Groups A, B, C, D, E, F, G, FCC, Industry Canada²⁾
- Non Sparking: NEPSI Ex nA IIC T4 Gc
- Intrinsically Safe: NEPSI Ex ia IIC T4 Ga, Ex iaD tD A20 IP67 T100 °C
- Flameproof: NEPSI Ex d ia mb IIC T4 Ga/Gb, Ex iaD tD A20 IP67 T100 °C²⁾
- Increased Safety: NEPSI Ex e ia mb IIC T4 Ga/Gb, Ex iaD tD A20 IP67 T100 °C²⁾

Pressure rating

Rating per Pressure/Temperature curves in instruction manual

¹⁾ Maximum range 10 m (32.8 ft), dk > 3 [20 m (66 ft)] and dk > 1.6 when mounted in stillpipe]

²⁾ Applicable with communication option 2 only

0	
B	F
B	G
B	H
B	J
F	D
F	E
F	F
F	G
F	A
G	A
G	B
G	C
G	D
G	E
G	F
G	G
H	A
H	B
H	C
H	D
H	E
H	F
H	G
H	H
H	K
H	L
H	M
H	N
0	

Level Measurement

Continuous level measurement Radar transmitters

SITRANS LR250 Flanged Encapsulated Antenna

Selection and Ordering data	Order code	Selection and Ordering data	Article No.
Further designs		Compact Operating Instructions for FOUNDATION Fieldbus device	
Please add "-Z" to Article No. and specify Order code(s).		English, French, German, Spanish, Italian, Dutch, Danish, Finnish, Greek, Portuguese (Portugal), Swedish	A5E33472700
Plug M12 with mating Connector ¹⁾²⁾³⁾	A50	English, Bulgarian, Czech, Estonian, Hungarian, Latvian, Lithuanian, Polish, Romanian, Slovakian, Slovenian	A5E33472738
Plug 7/8" with mating Connector ²⁾³⁾⁴⁾	A55	English, Portuguese (Brazil), Chinese	A5E34046626
Stainless steel tag [69 x 50 mm (2.71 x 1.97 inch)]: Measuring-point number/identification (max. 27 characters); specify in plain text	Y15	Note: The Operating Instructions should be ordered as a separate line item on the order.	
Manufacturer's test certificate: M to DIN 55350, Part 18 and to ISO 9000	C11	All literature is available to download for free, in a range of languages, at http://www.siemens.com/processinstrumentation/documentation	
Material inspection Certificate Type 3.1 per EN 10204	C12	Other Operating Instructions	
Functional Safety (SIL 2). Device suitable for use in accordance with IEC 61508 and IEC 61511 ⁵⁾⁶⁾	C20	SITRANS LR250 Functional Safety manual, English	A5E32286471
Namur NE43 compliant, device preset to failsafe < 3.6 mA ⁵⁾	N07	Note: The Operating Instructions should be ordered as a separate line item on the order.	
Compact Operating Instructions for HART/ mA device	Article No	All literature is available to download for free, in a range of languages, at http://www.siemens.com/processinstrumentation/documentation	
English, French, German, Spanish, Italian, Dutch, Danish, Finnish, Greek, Portuguese (Portugal), Swedish	A5E33469191	Accessories	
English, Bulgarian, Czech, Estonian, Hungarian, Latvian, Lithuanian, Polish, Romanian, Slovakian, Slovenian	A5E33469171	Handheld programmer, Intrinsically safe, EEx ia	7ML1930-1BK
English, Portuguese (Brazil), Chinese	A5E34046583	HART modem/USB (for use with a PC and SIMATIC PDM)	7MF4997-1DB
Note: The Operating Instructions should be ordered as a separate line item on the order.		One metallic cable gland M20 x 1.5, rated -40 ... +80 °C (-40 ... +176 °F), HART (2 are required) ⁶⁾	7ML1930-1AP
All literature is available to download for free, in a range of languages, at http://www.siemens.com/processinstrumentation/documentation		One metallic cable gland M20 x 1.5, rated -40 ... +80 °C (-40 ... +176 °F), PROFIBUS PA and FOUNDATION Fieldbus (2 are required) ²⁾	7ML1930-1AQ
Compact Operating Instructions for PROFIBUS PA device		SITRANS RD100, loop powered display - see Chapter 7	7ML5741-...
English, French, German, Spanish, Italian, Dutch, Danish, Finnish, Greek, Portuguese (Portugal), Swedish	A5E33469239	SITRANS RD200, universal input display with Modbus conversion - see Chapter 7	7ML5740-...
English, Bulgarian, Czech, Estonian, Hungarian, Latvian, Lithuanian, Polish, Romanian, Slovakian, Slovenian	A5E33472685	SITRANS RD300, dual line display with totalizer and linearization curve and Modbus conversion - see Chapter 7	7ML5744-...
English, Portuguese (Brazil), Chinese	A5E34046624	SITRANS RD500 web, universal remote monitoring solution for instrumentation - see Chapter 7	7ML5750-...
Note: The Operating Instructions should be ordered as a separate line item on the order.		For applicable back up point level switch - see point level measurement section	
All literature is available to download for free, in a range of languages, at http://www.siemens.com/processinstrumentation/documentation			

- 1) Available with enclosure option 1 only
- 2) Available with communication options 1 and 3 only
- 3) Available with approval options A, B, C, and L only
- 4) Available with enclosure option 0 only
- 5) Applicable with communication option 2 only
- 6) Available with approval options A, B, C, D, E, K, and L only

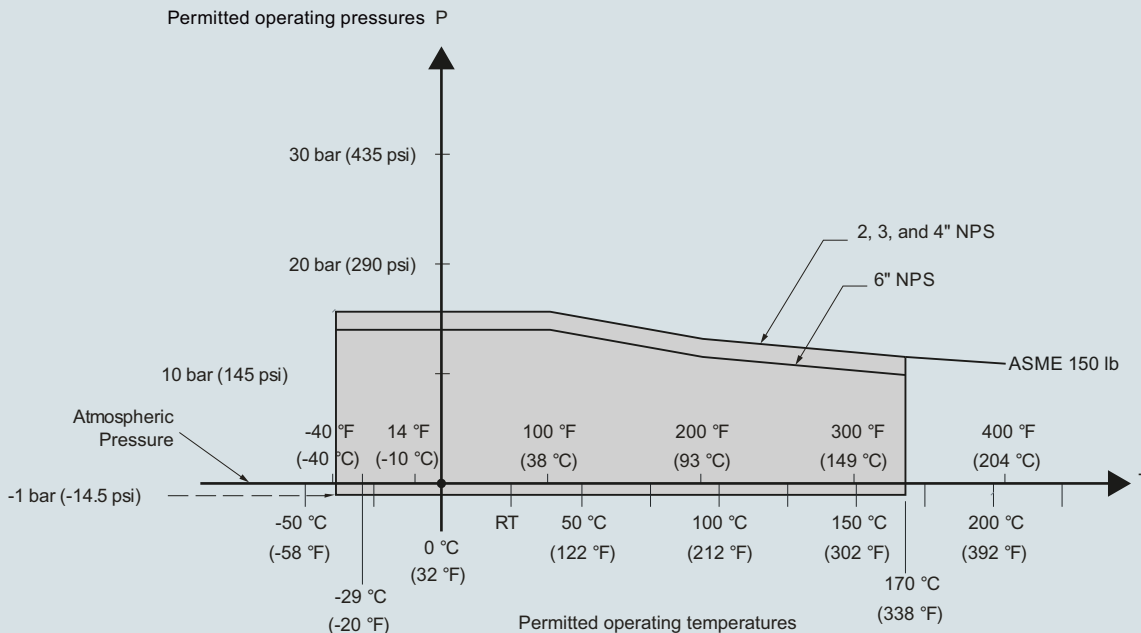
Level Measurement

Continuous level measurement
Radar transmitters

SITRANS LR250 Flanged Encapsulated Antenna

Characteristic curves

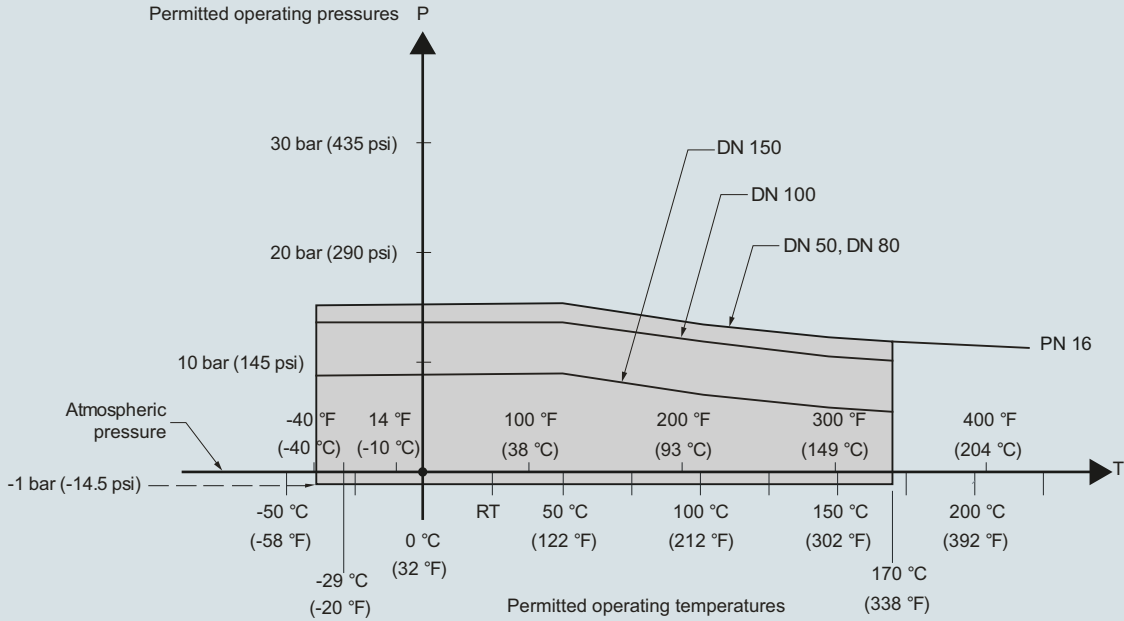
Pressure/ temperature curve
LR250 Flanged Encapsulated Antenna
ASME flanged process connections
(7ML5432)



SITRANS LR250 Flanged Encapsulated Antenna pressure/temperature curve

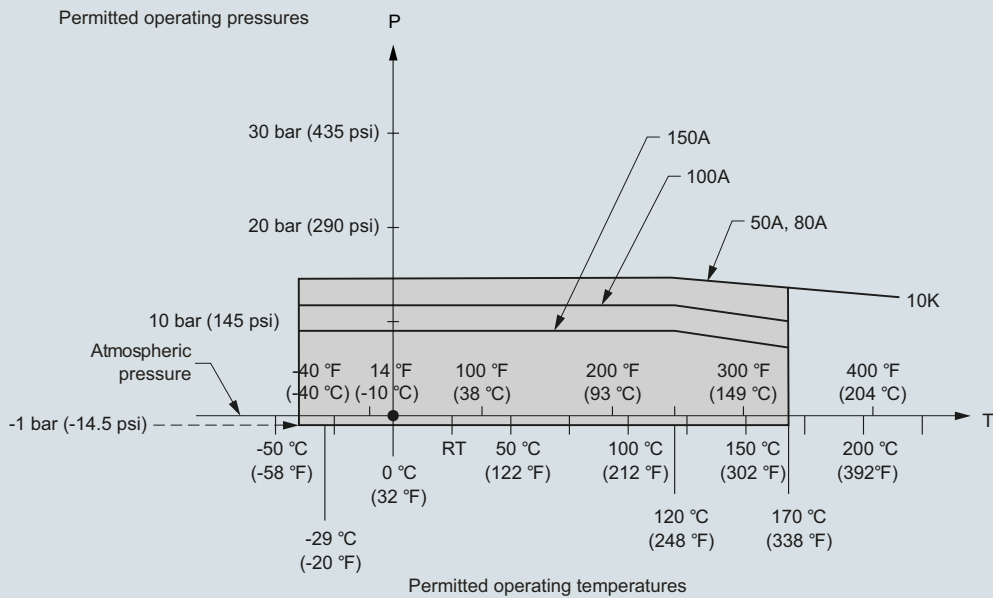
SITRANS LR250 Flanged Encapsulated Antenna

Pressure/ temperature curve
 LR250 Flanged Encapsulated Antenna
 EN 1092-1 flanged process connections
 (7ML5432)



SITRANS LR250 Flanged Encapsulated Antenna pressure/temperature curve

Pressure/ temperature curve
 LR250 Flanged Encapsulated Antenna
 JIS B 2220 flanged process connections
 (7ML5432)



SITRANS LR250 Flanged Encapsulated Antenna pressure/temperature curve

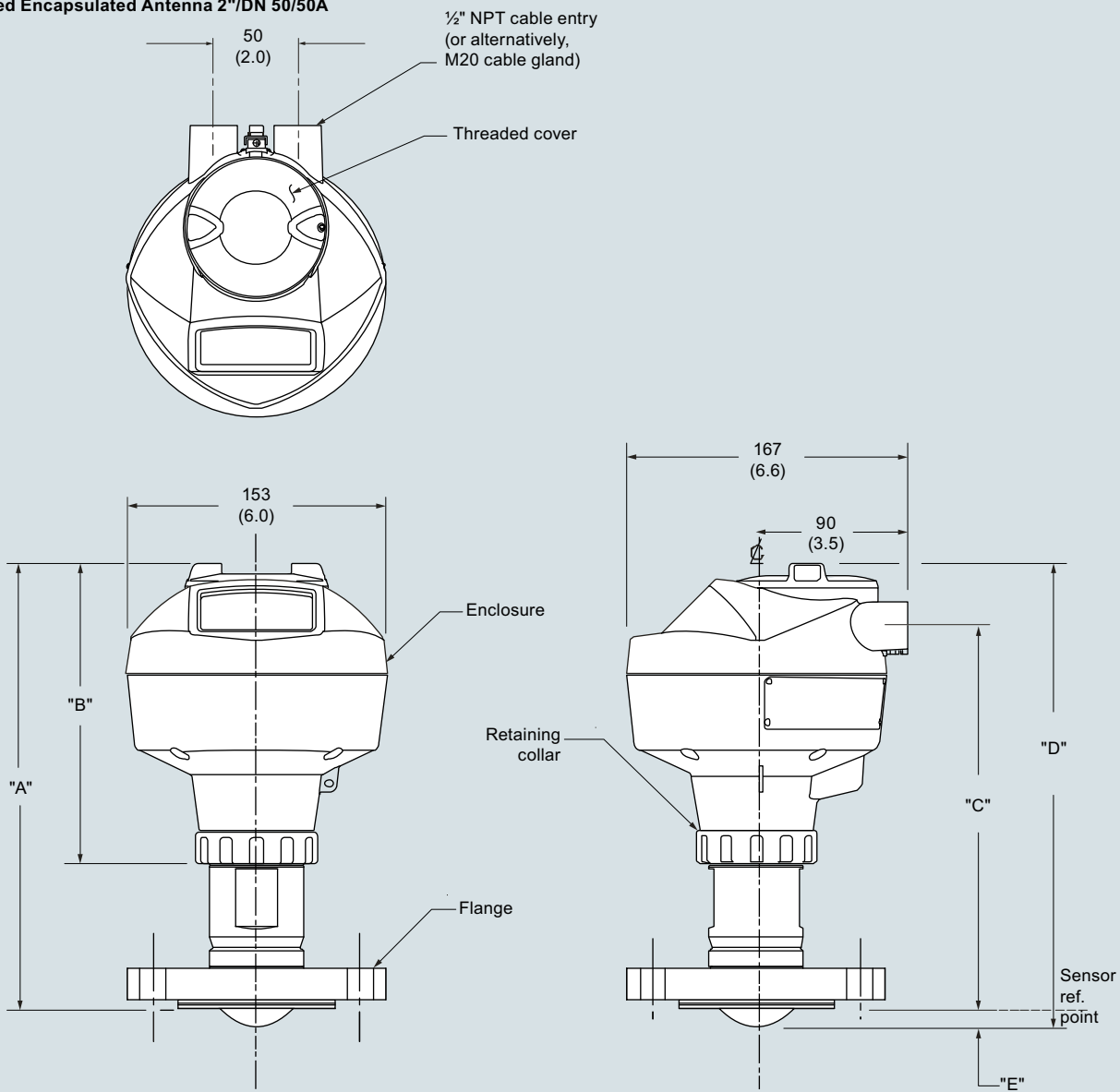
Level Measurement

Continuous level measurement
Radar transmitters

SITRANS LR250 Flanged Encapsulated Antenna

Dimensional drawings

Flanged Encapsulated Antenna 2"/DN 50/50A



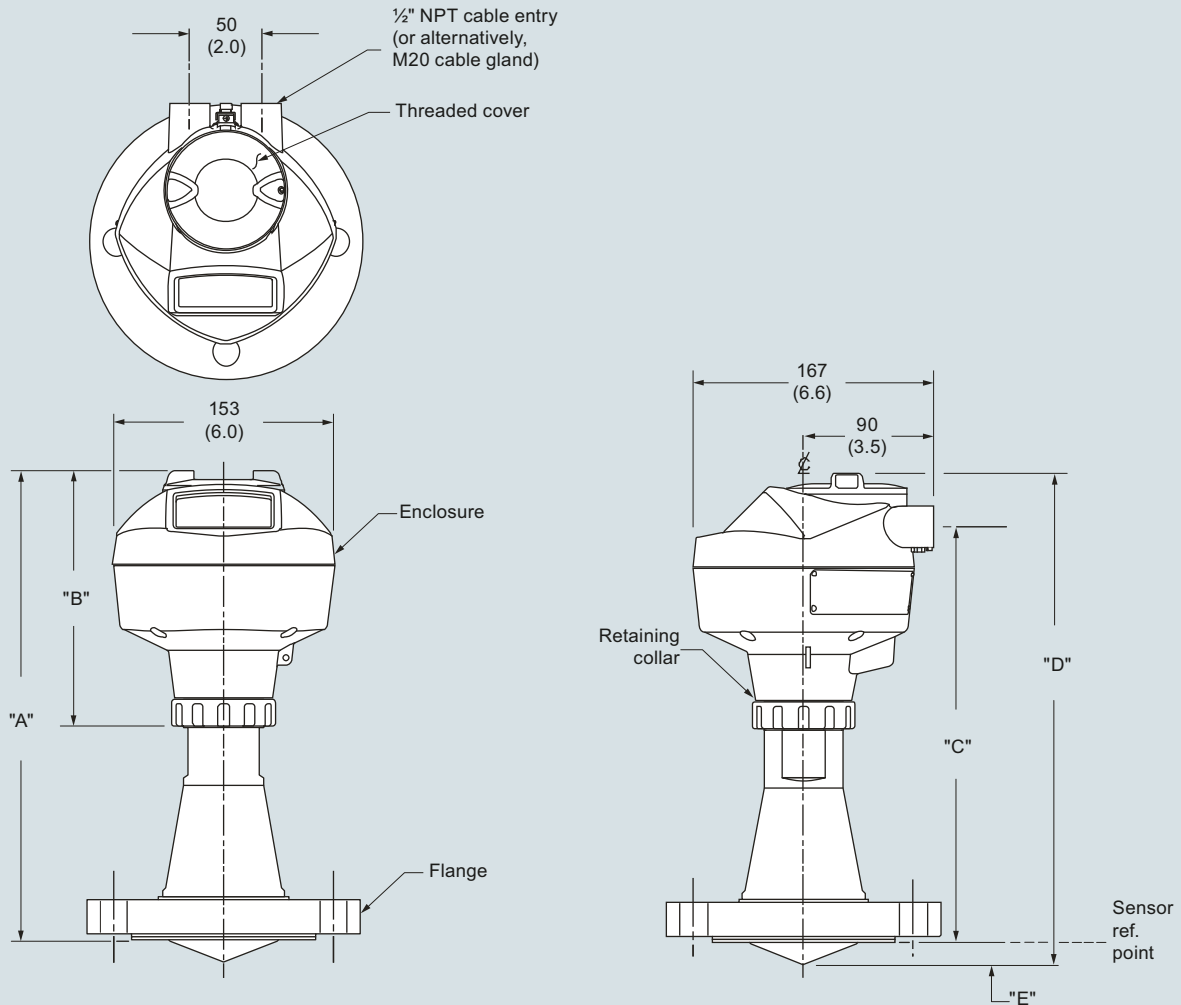
Flange Size	Flange Class	Flange O.D.	Antenna aperture size	Height to Sensor reference point dimension E ¹⁾	Beam angle	Measurement Range	Dimension A	Dimension B	Dimension C	Dimension D
2"	150 lb	152 (5.98)	50 (1.97)	11 (0.43)	12.8°	10 m (32.8 ft)	263 (10.35)	178 (7)	223 (8.78)	274 (10.79)
DN 50	PN 10/16	165 (6.50)								
50A	10K	155 (6.10)								

¹⁾ Height from tip of lens to sensor reference point as shown.

SITRANS LR250 Flanged Encapsulated Antenna, dimensions in mm (inch)

SITRANS LR250 Flanged Encapsulated Antenna

Flanged Encapsulated Antenna 3"/DN 50/80A or greater



Flange Size	Flange Class	Flange O.D.	Antenna aperture size	Height to Sensor reference point dimension E ¹⁾	Beam angle	Measurement Range	Dimension A	Dimension B	Dimension C	Dimension D
3"	150 lb	190 (7.48)	75 (2.95)	15 (0.59)	9.6°	20 m (65.6 ft)	328 (12.91)	178 (7)	288 (11.34)	343 (13.54)
DN 80	PN 10/16	200 (7.87)								
80A	10K	185 (7.28)								
4"	150 lb	230 (9.06)	75 (2.95)	13 (0.51)	9.6°	20 m (65.6 ft)	328 (12.91)	178 (7)	288 (11.34)	343 (13.50)
DN 100	PN 10/16	220 (8.66)								
100A	10K	210 (8.27)								
6"	150 lb	280 (11.02)	75 (2.95)	15 (0.59)	9.6°	20 m (65.6 ft)	333 (13.11)	178 (7)	293 (11.54)	348 (13.70)
DN 150	PN 10/16	285 (11.25)								
150A	10K	280 (11.02)								

¹⁾ Height from tip of lens to sensor reference point as shown.

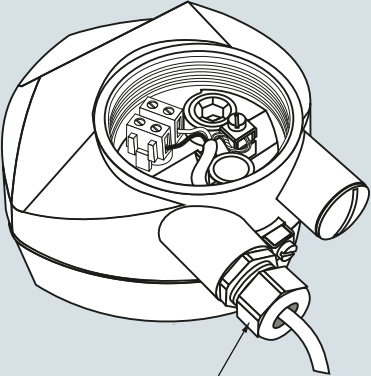
SITRANS LR250 Flanged Encapsulated Antenna, dimensions in mm (inch)

Level Measurement

Continuous level measurement
Radar transmitters

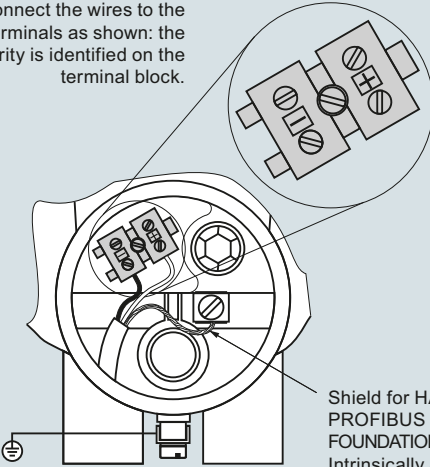
SITRANS LR250 Flanged Encapsulated Antenna

Circuit diagrams



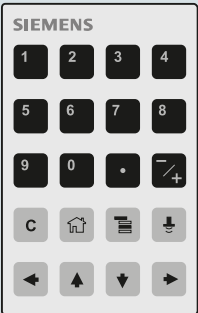
Gland may or may not be provided depending on approval option.

Connect the wires to the terminals as shown: the polarity is identified on the terminal block.



Shield for HART, PROFIBUS PA, and FOUNDATION Fieldbus Intrinsically Safe versions only.

Hand Programmer



Part number:
7ML1930-1BK

Notes:

1. DC terminal shall be supplied from a source providing electrical isolation between the input and output, to meet the applicable safety requirements of IEC 61010-1.
2. All field wiring must have insulation suitable for rated input voltages.
3. Use shielded twisted pair cable (14 ... 22 AWG) for HART version.
4. Separate cables and conduit may be required to conform to standard instrumentation wiring practices or electrical codes.

SITRANS LR250 connections

SITRANS LR250 Flanged Encapsulated Specials

Selection and ordering data

SITRANS LR250 Flanged Encapsulated Specials

	Article No.
NOTE: LR260 head can be supplied with any LR250 process connection or antenna as special order. For LR250, this means a stronger signal and longer measurement range is possible.	
SITRANS LR250 flanged encapsulated antenna version enclosures (PROFIBUS PA models)	
SITRANS LR250 flanged encapsulated antenna version (7ML5432) enclosure with board stack, M20 cable inlet, approval option A, with PROFIBUS PA communication, no process connection	A5E32462853
SITRANS LR250 flanged encapsulated antenna version (7ML5432) enclosure with board stack, NPT cable inlet, approval option A, with PROFIBUS PA communication, no process connection	A5E32462854
SITRANS LR250 flanged encapsulated antenna version (7ML5432) enclosure with board stack, NPT cable inlet, approval option B, with PROFIBUS PA communication, no process connection	A5E32462855
SITRANS LR250 flanged encapsulated antenna version (7ML5432) enclosure with board stack, M20 cable inlet, approval option C, with PROFIBUS PA communication, no process connection	A5E32462856
SITRANS LR250 flanged encapsulated antenna version (7ML5432) enclosure with board stack, NPT cable inlet, approval option D, with PROFIBUS PA communication, no process connection	A5E32462857
SITRANS LR250 flanged encapsulated antenna version (7ML5432) enclosure with board stack, M20 cable inlet, approval option E, with PROFIBUS PA communication, no process connection	A5E32462858
SITRANS LR250 flanged encapsulated antenna version enclosures (FOUNDATION Fieldbus models)	
SITRANS LR250 flanged encapsulated antenna version (7ML5432) enclosure with board stack, M20 cable inlet, approval option A, with FOUNDATION Fieldbus communication, no process connection	A5E32462859
SITRANS LR250 flanged encapsulated antenna version (7ML5432) enclosure with board stack, NPT cable inlet, approval option A, with FOUNDATION Fieldbus communication, no process connection	A5E32462860
SITRANS LR250 flanged encapsulated antenna version (7ML5432) enclosure with board stack, NPT cable inlet, approval option B, with FOUNDATION Fieldbus communication, no process connection	A5E32462861
SITRANS LR250 flanged encapsulated antenna version (7ML5432) enclosure with board stack, M20 cable inlet, approval option C, with FOUNDATION Fieldbus communication, no process connection	A5E32462862
SITRANS LR250 flanged encapsulated antenna version (7ML5432) enclosure with board stack, NPT cable inlet, approval option D, with FOUNDATION Fieldbus communication, no process connection	A5E32462863
SITRANS LR250 flanged encapsulated antenna version (7ML5432) enclosure with board stack, M20 cable inlet, approval option E, with FOUNDATION Fieldbus communication, no process connection	A5E32462864

SITRANS LR250 Flanged Encapsulated Specials

	Article No.
SITRANS LR250 flanged encapsulated antenna version enclosures (< 3.6 mA start-up HART models)	
SITRANS LR250 flanged encapsulated antenna version (7ML5432) enclosure with board stack, M20 cable inlet, approval option A, with HART communication start-up at < 3.6 mA, no process connection	A5E32462865
SITRANS LR250 flanged encapsulated antenna version (7ML5432) enclosure with board stack, NPT cable inlet, approval option A, with HART communication start-up at < 3.6 mA, no process connection	A5E32462866
SITRANS LR250 flanged encapsulated antenna version (7ML5432) enclosure with board stack, NPT cable inlet, approval option B, with HART communication start-up at < 3.6 mA, no process connection	A5E32462867
SITRANS LR250 flanged encapsulated antenna version (7ML5432) enclosure with board stack, M20 cable inlet, approval option C, with HART communication start-up at < 3.6 mA, no process connection	A5E32462868
SITRANS LR250 flanged encapsulated antenna version (7ML5432) enclosure with board stack, NPT cable inlet, approval option D, with HART communication start-up at < 3.6 mA, no process connection	A5E32462869
SITRANS LR250 flanged encapsulated antenna version (7ML5432) enclosure with board stack, M20 cable inlet, approval option E, with HART communication start-up at < 3.6 mA, no process connection	A5E32462830
SITRANS LR250 flanged encapsulated antenna version (7ML5432) enclosure with board stack, M20 cable inlet, approval option F, with HART communication start-up at < 3.6 mA, no process connection	A5E32462831
SITRANS LR250 flanged encapsulated antenna version (7ML5432) enclosure with board stack, M20 cable inlet, approval option G, with HART communication start-up at < 3.6 mA, no process connection	A5E32462832
SITRANS LR250 flanged encapsulated antenna version (7ML5432) enclosure with board stack, NPT cable inlet, approval option H, with HART communication start-up at < 3.6 mA, no process connection	A5E32462833

Level Measurement

Continuous level measurement
Radar transmitters

SITRANS LR250 Flanged Encapsulated Specials

SITRANS LR250 Flanged Encapsulated Specials

Article No.

SITRANS LR250 flanged encapsulated antenna lens kits

Replacement TFM 1600 Lens and Spring Washer Kit for 2" Class 150 ASME B16.5 raised face	A5E32462817
Replacement TFM 1600 Lens and Spring Washer Kit for 3" Class 150 ASME B16.5 raised face	A5E32462819
Replacement TFM 1600 Lens and Spring Washer Kit for 4" Class 150 ASME B16.5 raised face	A5E32462820
Replacement TFM 1600 Lens and Spring Washer Kit for 6" Class 150 ASME B16.5 raised face	A5E32462821
Replacement TFM 1600 Lens and Spring Washer Kit for 50A 10K JIS B 2220 raised face	A5E32462822
Replacement TFM 1600 Lens and Spring Washer Kit for 80A 10K JIS B 2220 raised face	A5E32462823
Replacement TFM 1600 Lens and Spring Washer Kit for 100A 10K JIS B 2220 raised face	A5E32462824
Replacement TFM 1600 Lens and Spring Washer Kit for 150A 10K JIS B 2220 raised face	A5E32462825
Replacement TFM 1600 Lens and Spring Washer Kit for DN 50 PN 10/16 EN 1092-1 type B1 raised face	A5E32462826
Replacement TFM 1600 Lens and Spring Washer Kit for DN 80 PN 10/16 EN 1092-1 type B1 raised face	A5E32462827
Replacement TFM 1600 Lens and Spring Washer Kit for DN 100 PN 10/16 EN 1092-1 type B1 raised face	A5E32462828
Replacement TFM 1600 Lens and Spring Washer Kit for DN 150 PN 10/16 EN 1092-1 type B1 raised face	A5E32462829

Ex-proof plugs

Ex-proof plugs kit, 1/2" NPT, qty 5	A5E39979991
Ex-proof plugs kit, M20, qty 5	A5E39979992

4