

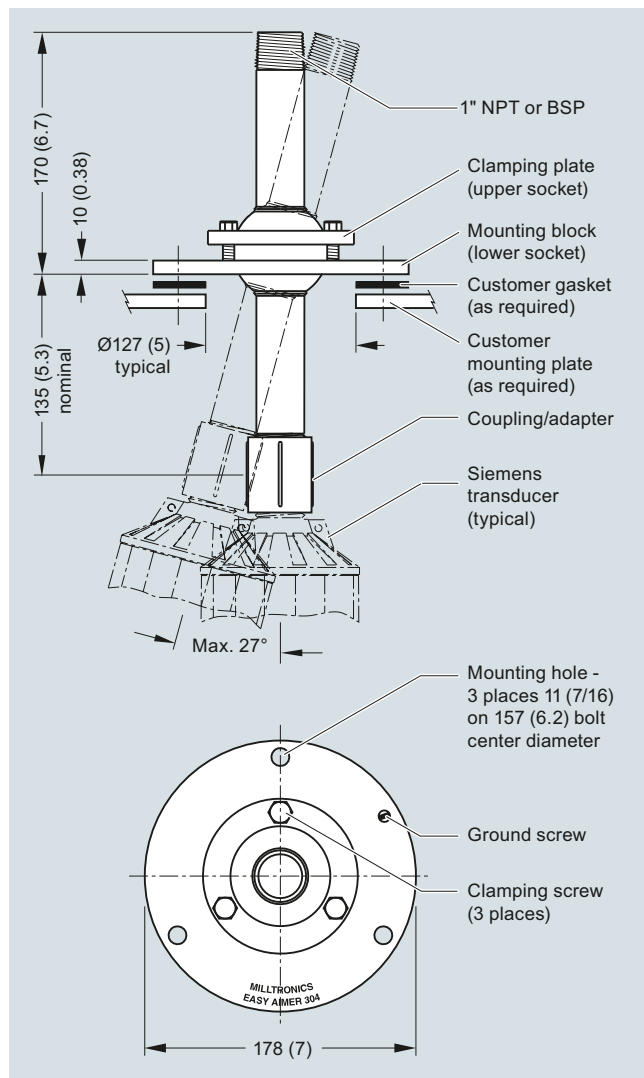
Application

EA 304 aiming device

The Easy Aimer 304 flange is a stainless steel aiming device for alignment of Siemens ultrasonic transducers used for level measurement of bulk solids.

The sensor must be mounted aimed towards the low level draw point in the silo. The sensor can be rotated through 360° and angled at 0 to 27° off vertical. It must be mounted using an access plate with welded studs or a flange in order to isolate the mounting holes from the pressurized environment. When installed properly, the EA 304 aiming device is capable of withstanding pressures up to 0.5 bar (Europe) or 15 psi (North America). It can even be used in corrosive and aggressive environments.

Dimensional drawings



EA 304 aiming device, dimensions in mm (inch)

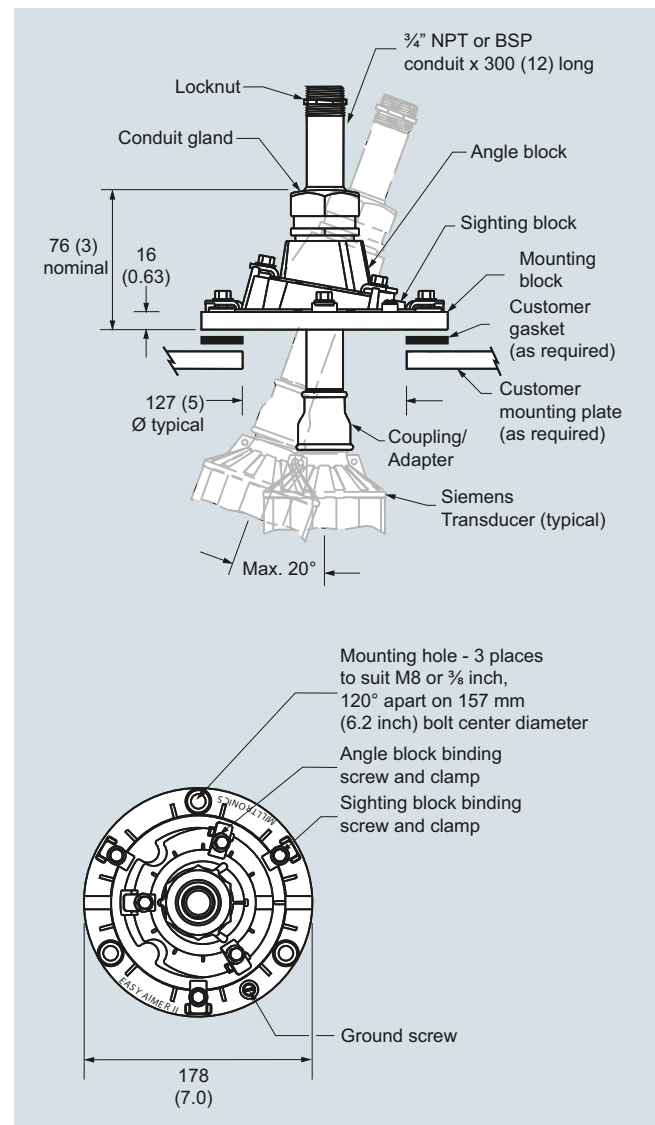
Application

EA 2 aiming device

The Easy Aimer 2 flange is a cast aluminum aiming device for alignment of Siemens ultrasonic transducers.

The flange has graduated adjustments and an adjustable insertion length. When used for applications with bulk solids, the sensor is mounted so that it is aimed towards the lower level draw point in the silo. The sensor can be rotated through 360° and angled at 0 to 20° off vertical. It must be mounted using an access plate with welded studs or a flange in order to isolate the mounting holes from the pressurized environment. When installed properly, the EA 2 aiming device is capable of withstanding pressures up to 0.5 bar (Europe) or 15 psi (North America). It can even be used in corrosive and aggressive environments.

Dimensional drawings



EA 2 aiming device, dimensions in mm (inch)

Level Measurement

Continuous level measurement
Accessories for ultrasonic

EA aiming devices

Selection and Ordering data	Article No.
Easy aimer Used on solids applications to aim transducers for optimal performance. Available in a 304 stainless steel model, or a cast aluminum model.	
Easy Aimer 2, aluminum with M20 adapter and 1" and 1½" BSPT aluminum couplings	7ML1830-1AX
Easy Aimer 304, with M20 adapter and 1" and 1½" BSPT 304 stainless steel couplings	7ML1830-1GN
Easy Aimer 2, aluminum, BSPT conduit	7ML1830-1AL
Easy Aimer 2, aluminum, NPT with 1½" galvanized coupling ¹⁾	7ML1830-1AN
Easy Aimer 2, aluminum, NPT with 1" galvanized coupling	7ML1830-1AP
Easy Aimer 2, aluminum, NPT with ¾" x 1" PVC coupling	7ML1830-1AQ
Easy Aimer 304, BSPT conduit	7ML1830-1AS
Easy Aimer 304, NPT with 1½" stainless steel coupling ¹⁾	7ML1830-1AT
Easy Aimer 304, NPT with 1" stainless steel coupling	7ML1830-1AU
Operating Instructions All literature is available to download for free, in a range of languages, at http://www.siemens.com/processinstrumentation/documentation	

¹⁾ For use with XPS-30 transducers only