

## Temperature Measurement

### Thermocouples

#### Straight thermocouples Individual parts and accessories

##### Connection heads

Connection head, Type A (without terminal block and terminals) for protective tube diameter (bore = protective tube diameter +0.5 mm (0.02 inch))

##### Selection and Ordering data

Article No.

##### Connection head, Type A, (without terminal block and terminals)

1 Cable inlet, degree of protection IP53, 0.35 kg (0.77 lb)

##### Cast light alloy

fastener, unscrewable

for protective tube diameter in mm (inch) (bore = protective tube diam. +0.5 mm) (0.02 inch):

- 22 (0.87)
- 26 (1.02)

**7MC2905-1AA**  
**7MC2905-1BA**

##### Cast light alloy

high hinged cover

for protective tube diameter in mm (inch) (bore = protective tube diam. +0.5 mm) (0.02 inch):

- 22 (0.87)
- 26 (1.02)

**7MC2905-4AA**  
**7MC2905-4BA**

##### Installation accessories for connection heads

- Terminal block
- Terminal
- Set of gaskets
- Set of washers
- Mounting flange
- Threaded sleeve

##### Selection and Ordering data

Article No.

##### Mounting accessories

##### Terminal block without terminals

for base-metal thermocouples; 0.06 kg (0.13 lb)

**7MC2998-1AA**

##### Terminal

for base-metal thermocouples; 0.01 kg (0.02 lb)

**7MC2998-1BA**

##### Set of gaskets (100 off)

for the connection head cover; 0.01 kg (0.02 lb)

**7MC2998-1CA**

##### Set of washers (100 off)

for the terminal block; 0.01 kg (0.02 lb)

**7MC2998-1CB**

##### Mounting flange, adjustable; made of GTW

• for protective tube outer diameters 22 mm (0.87 inch); 0.35 kg (0.77 lb)

**7MC2998-2CB**

• for protective tube outer diameters 26 mm (1.02 inch); 0.32 kg (0.71 lb)

**7MC2998-2CC**

##### Threaded sleeve

Gas-tight up to 1 bar (14.5 psi), adjustable, material No. 1.0718, with gasket; 0.40 kg (0.88 lb)

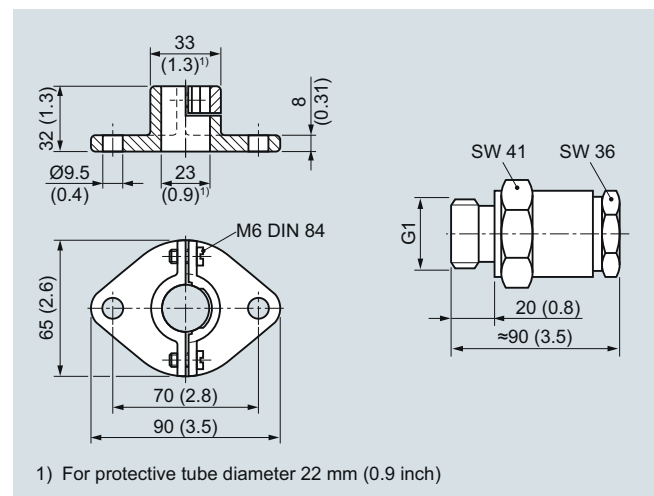
• for protective tube outer diameters 22 mm (0.87 inch), **G1**

**7MC2998-2DB**

• for protective tube outer diameters 26 mm (1.02 inch), **G1**

**7MC2998-2DC**

#### Dimensional drawings



Mounting flange to DIN 43734 (left) and threaded sleeve (right) for installing straight thermocouples, dimensions in mm (inches)