

## Pressure Measurement

### Fittings

### Shut-off valves for gauge and absolute pressure transmitters

#### Shut-off valves/Double shut-off valves

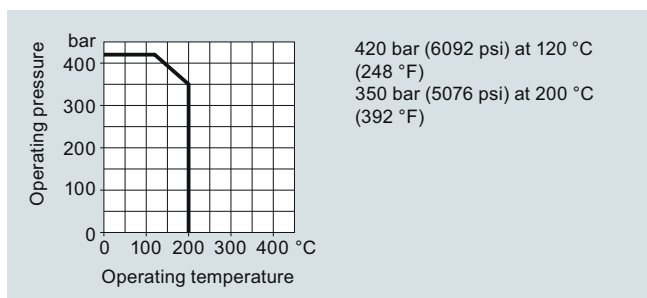
##### Overview

The double shut-off valves DN 5 are suitable for pressure gauges and pressure transmitters and available in 5 versions:

- Sleeve-nipple
- Sleeve-sleeve
- Sleeve-collar
- Collar-collar
- Collar-sleeve

The valve packing material is PTFE.

##### Characteristic curves



Permissible operating pressure as a function of the permissible operating temperature

##### Selection and Ordering data

Article No.

###### Shut-off valve DN 5

Material: X 6 CrNiMoTi 17 13 2 (W.-Nr. 1.4404/316L), max. permissible operating overpressure 420 bar (6092 psi)

- Sleeve-sleeve

**7MF9011-3HA**

###### Double shut-off valves DN 5

Material: X 6 CrNiMoTi 17 13 2 (mat. No. 1.4404/316L), max. permissible working pressure 420 bar (6092 psi);

- Sleeve-nipple connection
- Sleeve-sleeve
- Sleeve-collar
- Collar-collar
- Collar-sleeve

**7MF9011-4EA**

**7MF9011-4HA**

**7MF9011-4FA**

**7MF9011-4GA**

**7MF9011-4KA**

##### Accessories

Factory test certificate EN 10204-2.2

**7MF9000-8AB**

Material acceptance test certificate EN 10204-3.1

**7MF9000-8AD**

##### Further designs

Order code

Add "-Z" to Article No. and specify Order code.

Oil- and grease-free cleaning for oxygen applications, max. pressure PN 100 (1450 psi) and max. temperature 60 °C (140 °F)

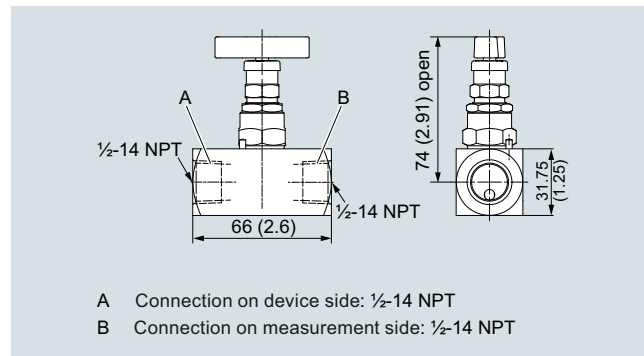
**S12**

##### NACE MR-0175-certified

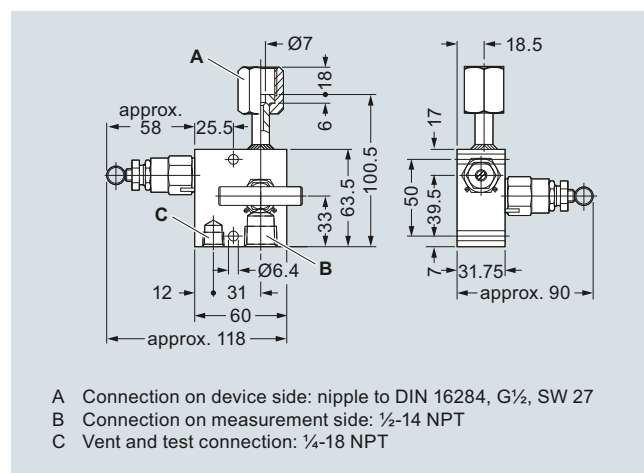
**D07**

incl. acceptance test certificate 3.1 to EN 10204

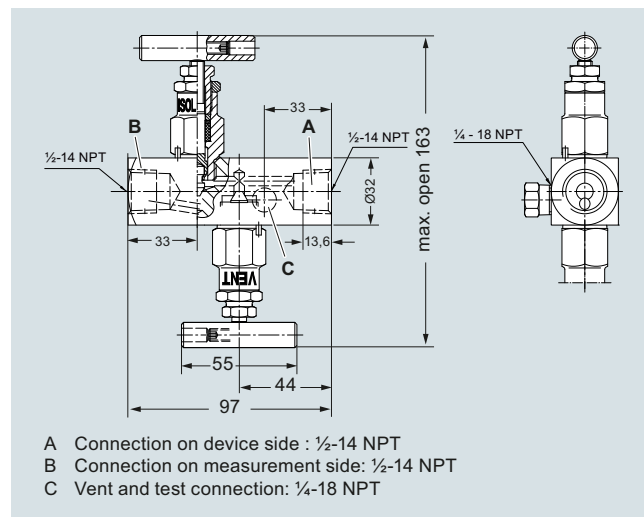
##### Dimensional drawings



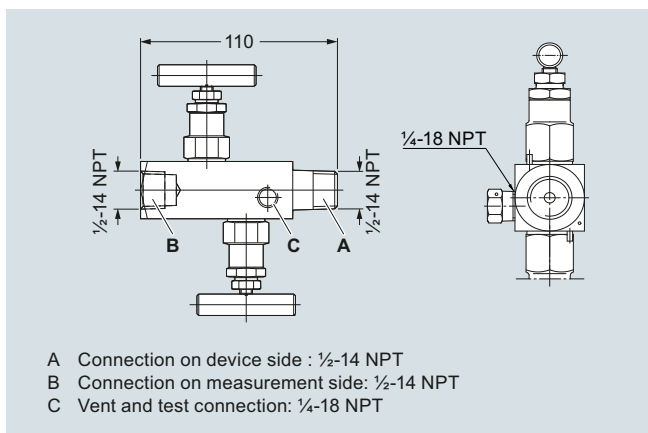
Shut-off valve DN 5 (sleeve-sleeve) 7MF9011-3HA, dimensions in mm (inch)



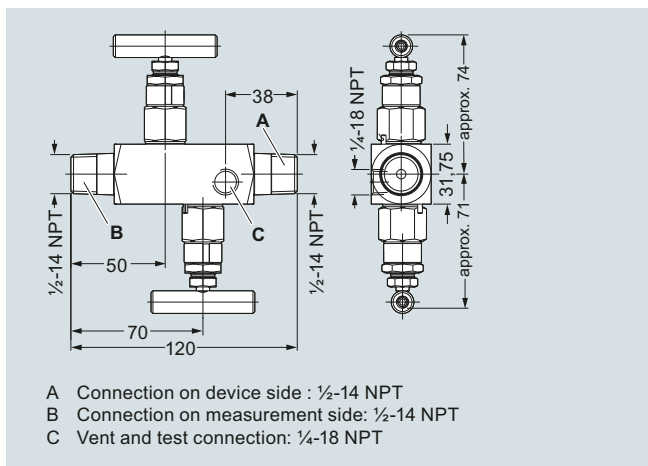
Double shut-off valve DN 5 (sleeve-nipple) 7MF9011-4EA, dimensions in mm



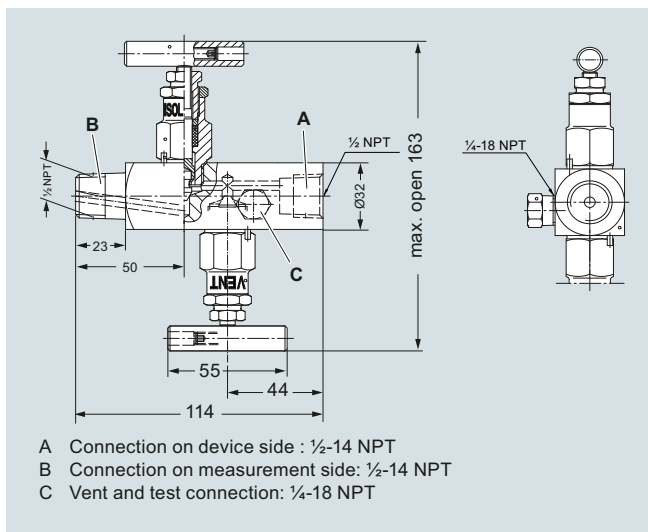
Double shut-off valve DN 5 (sleeve-sleeve) 7MF9011-4HA, dimensions in mm



Double shut-off valve DN 5 (sleeve-collar) 7MF9011-4FA, dimensions in mm



Double shut-off valve DN 5 (collar-collar) 7MF9011-4GA, dimensions in mm



Double shut-off valve DN 5 (collar-sleeve) 7MF9011-4KA, dimensions in mm