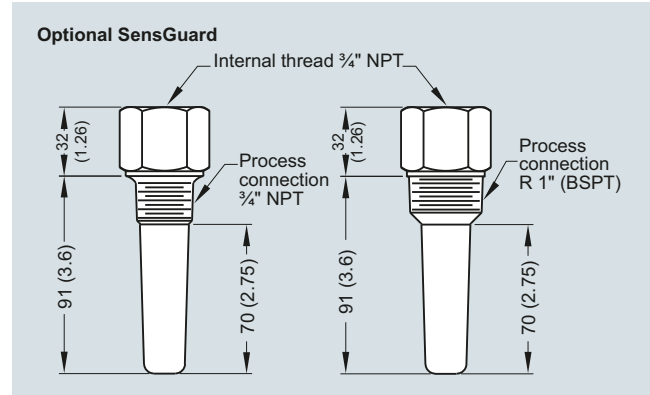


Selection and Ordering data	Article No.
Accessories	
SensGuard, 3/4" NPT (PPS) Only available for CLS200 with 3/4" NPT thread	7ML1830-1DL
SensGuard, R 1" (BSPT) (PPS) Only available for CLS200 with 3/4" NPT thread	7ML1830-1DM
One metallic cable gland M20 x 1.5, -40 ... +80 °C (-40 ... +176 °F), Dust Ignition Proof, with integrated shield connection (available for PROFIBUS PA)	7ML1930-1AQ
General Purpose	
1/2" NPT General Purpose Cable Entry IP68/IP69K NEMA6, -40 ... +80 °C (-40 ... +176 °F), Dust Ignition Proof, cable size 6 ... 12 mm (0.236 ... 0.472 inch)	7ML1830-1JA
M20 x 1.5 General Purpose Cable Entry IP68/IP69K NEMA6, -40 ... +80 °C (-40 ... +176 °F), Dust Ignition Proof, cable size 7 ... 12 mm (0.275 ... 0.472 inch)	7ML1830-1JC
Hazardous Locations	
1/2" NPT EMC rated Cable Gland: Dust Ignition Proof, Flameproof Exd, and Increased Safety ATEX II 2 GD ExtD A21 (Zone 1, Zone 2, Zone 21, Zone 22, and in Gas Groups IIA, IIB and IIC) -60 ... +80 °C IP66, IP67, IP68, NEMA4X, cable sizes 5.5 ... 12 mm (0.216 ... 0.472 inch)	7ML1830-1JB
M20 EMC rated Cable Gland: Dust Ignition Proof, Flameproof Exd, and Increased Safety ATEX II 2 GD ExtD A21 (Zone 1, Zone 2, Zone 21, Zone 22 and in Gas Groups IIA, IIB and IIC) -60 ... +80 °C IP66, IP67, IP68, NEMA4X, cable sizes 5.5 ... 12 mm (0.216 ... 0.472 inch)	7ML1830-1JD
Blind threaded flanges are available. Customers interested in a custom designed device should consult a local sales person. For more information, please visit http://www.automation.siemens.com/aspa_app .	
Pointek Specials	See page 4/61

Options



Optional SensGuard, dimensions in mm (inch)

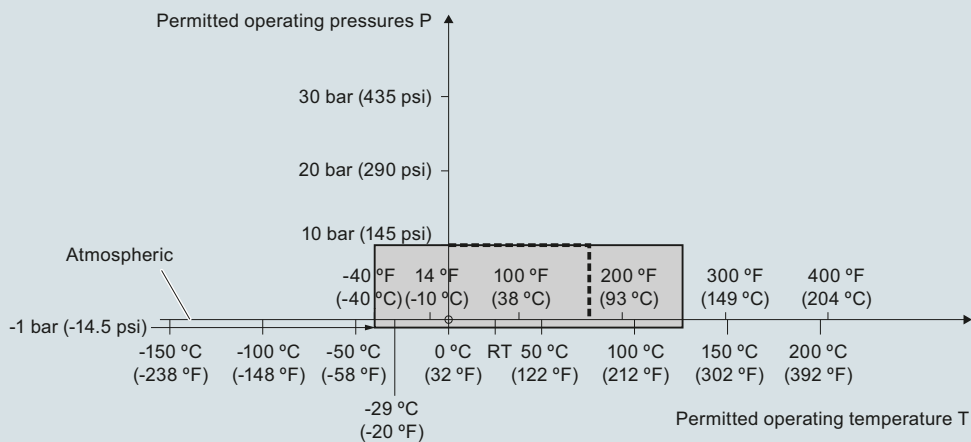
Level Measurement

Point level measurement
RF Capacitance switches

Pointek CLS200 - Standard and Digital

Characteristic curves

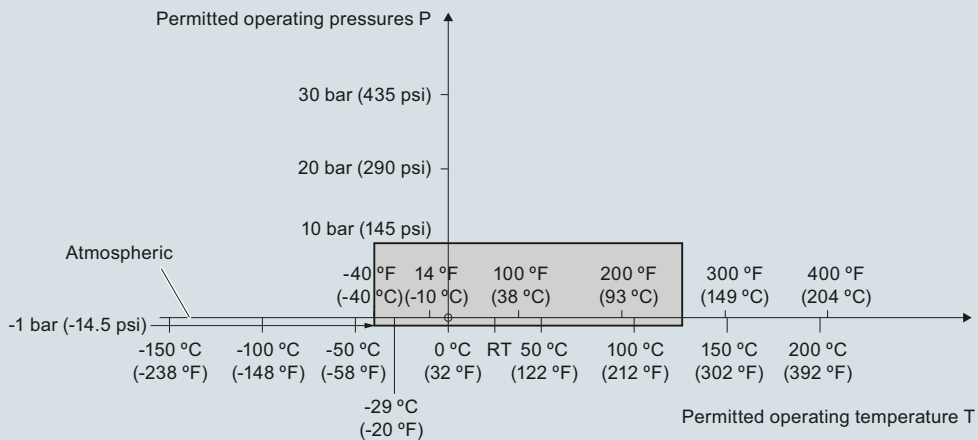
Pressure/temperature curve
CLS200 sliding coupling
threaded process connections
(7ML5633 and 7ML5643)



----- Example:
Permitted operating pressure = 10 bar (145 psi) at 75 °C

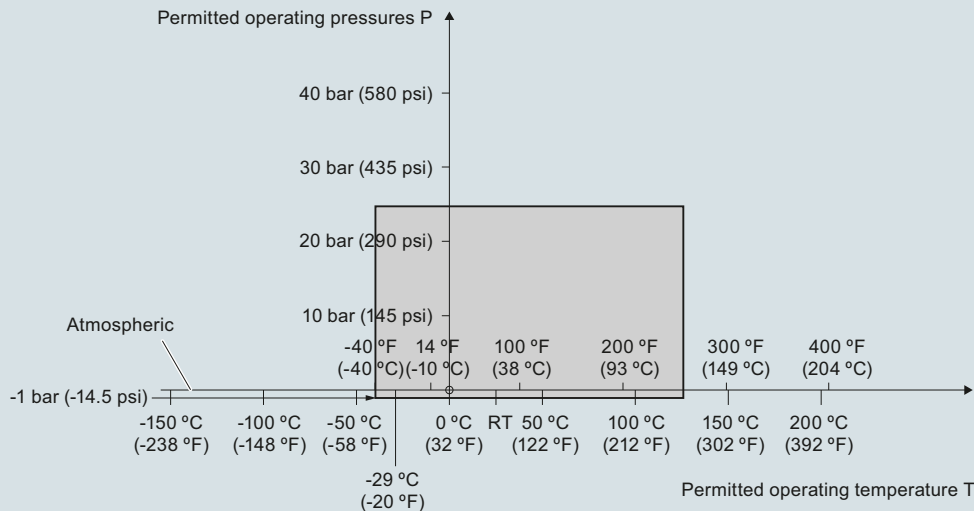
Pointek CLS200 process pressure/temperature derating curves (7ML5633 and 7ML5643)

Pressure/temperature curve
CLS200 cable
Threaded process connections
(7ML5631 and 7ML5641)



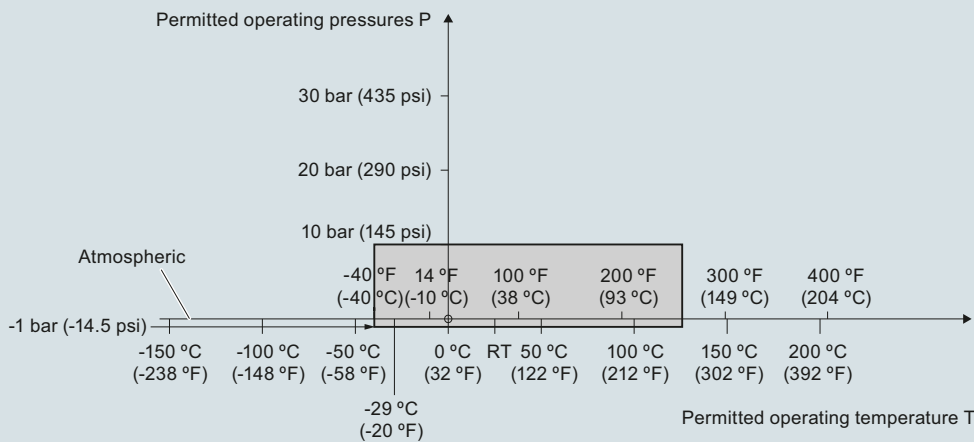
Pointek CLS200 process pressure/temperature derating curves (7ML5631 and 7ML5641)

Pressure/temperature curve
CLS200 compact and extended rod
Threaded process connections
(7ML5630 and 7ML5640)



Pointek CLS200 process pressure/temperature derating curves (7ML5630 or 7ML5640)

Pressure/temperature curve
CLS200 compact and extended sanitary type
Sanitary process connections
(7ML5632 and 7ML5642)



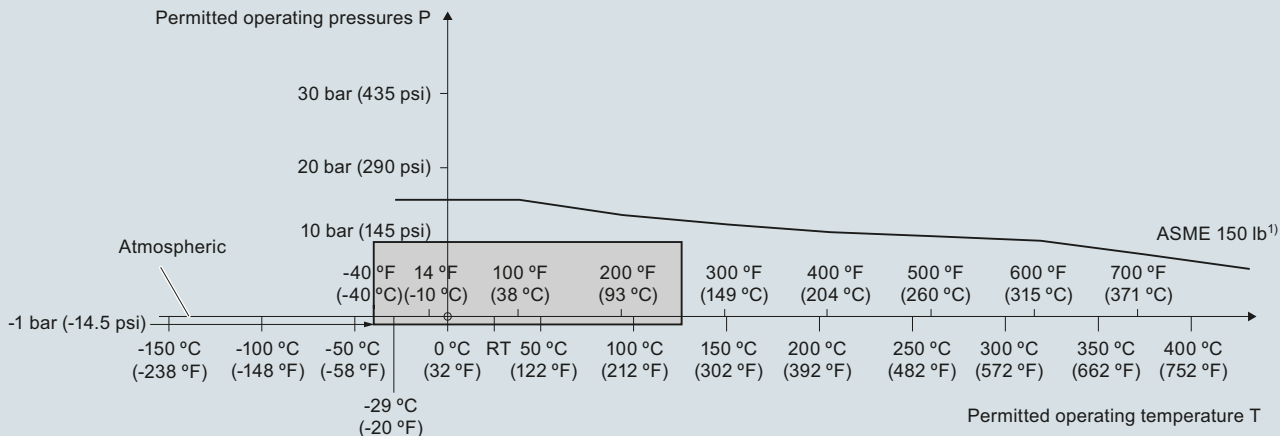
Pointek CLS200 process pressure/temperature derating curves (7ML5632 and 7ML5642)

Level Measurement

Point level measurement
RF Capacitance switches

Pointek CLS200 - Standard and Digital

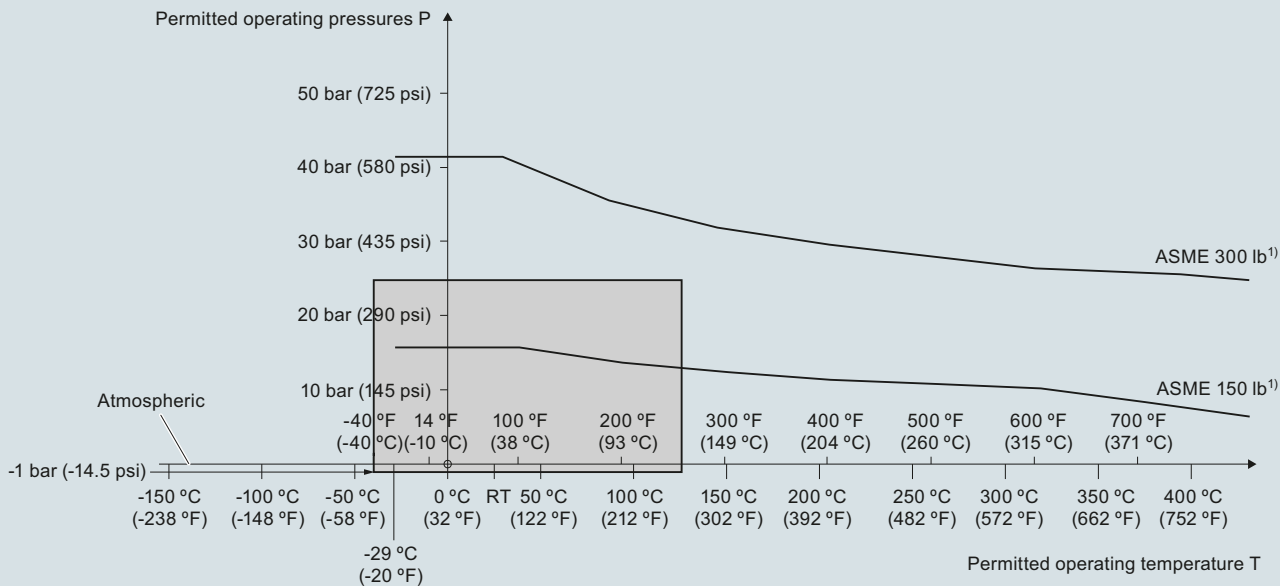
Pressure/temperature curve
CLS200, cable
ASME flanged process connections
(7ML5631 and 7ML5641)



¹⁾ The curve denotes the minimum allowable flange class for the shaded area below.

Pointek CLS200 process pressure/temperature derating curves (7ML5631 and 7ML5641)

Pressure/temperature curve
CLS200 compact and extended rod
ASME flanged process connections
(7ML5630 and 7ML5640)

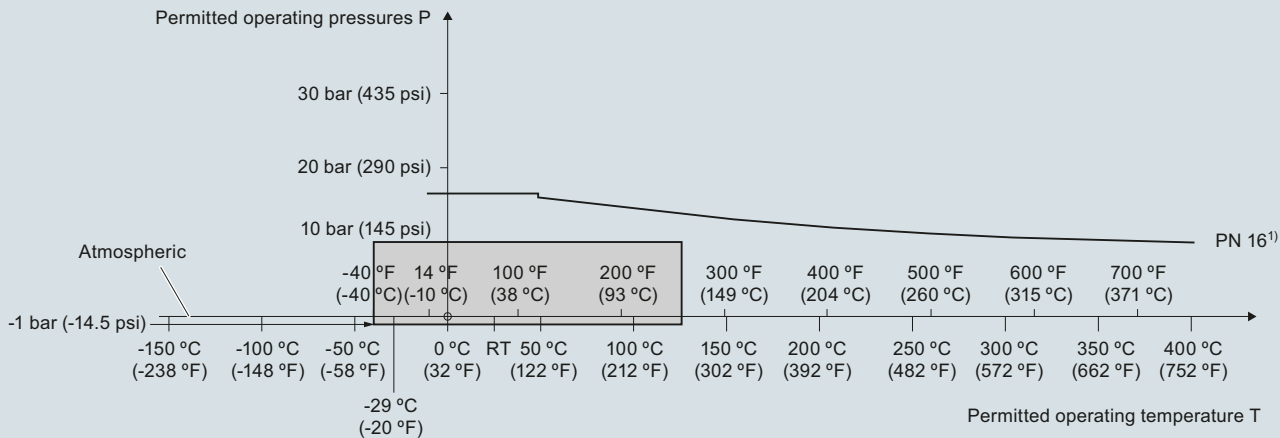


¹⁾ The curve denotes the minimum allowable flange class for the shaded area below.

Pointek CLS200 process pressure/temperature derating curves (7ML5630 and 7ML5640)

4

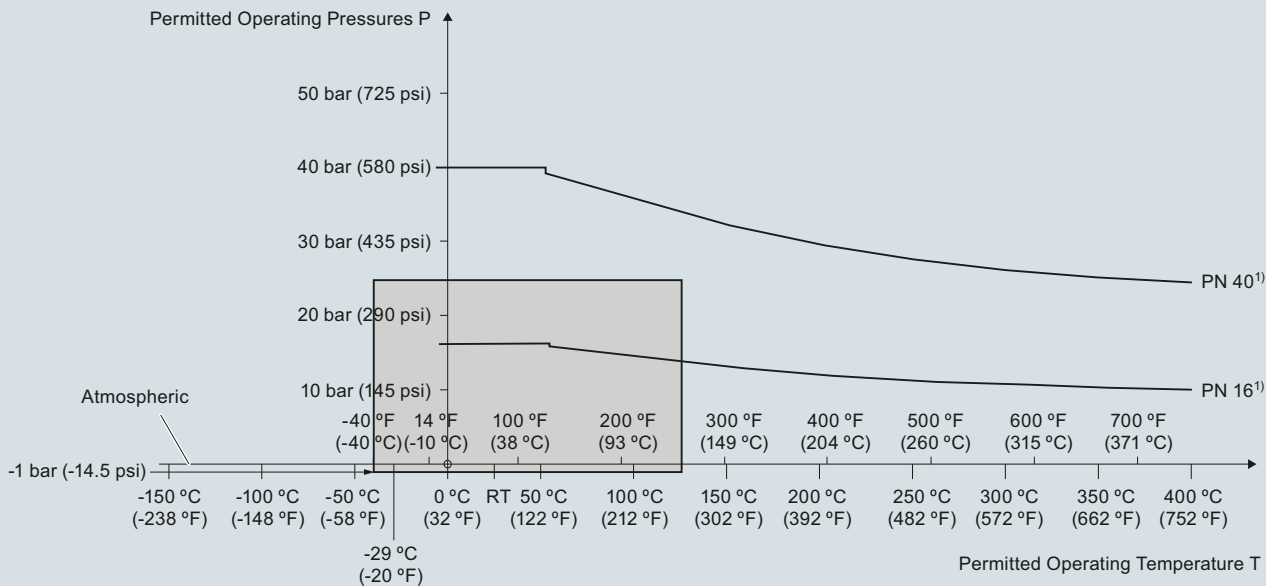
Pressure/temperature curve
CLS200 cable
EN flanged process connections
(7ML5631 and 7ML5641)



1) The curve denotes the minimum allowable flange class for the shaded area below.

Pointek CLS200 process pressure/temperature derating curves (7ML5631 and 7ML5641)

Pressure/Temperature Curve
CLS200 Compact and Extended Rod
EN Flanged Process Connections
(7ML5630 and 7ML5640)



1) The curve denotes the minimum allowable flange class for the shaded area below.

Pointek CLS200 process pressure/temperature derating curves (7ML5630 and 7ML5640)

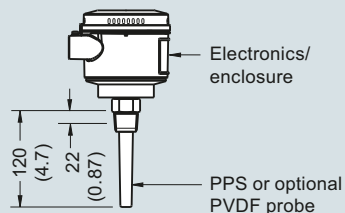
Level Measurement

Point level measurement
RF Capacitance switches

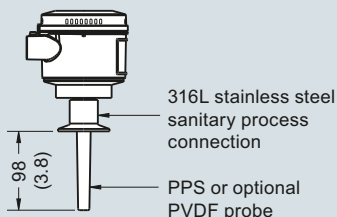
Pointek CLS200 - Standard and Digital

Dimensional drawings

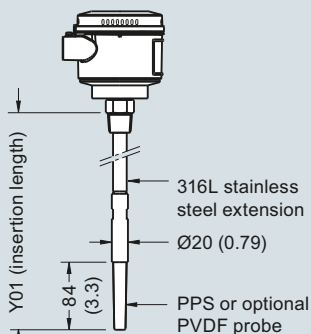
Compact version
Threaded
(7ML5630 and 7ML5640)



Sanitary compact version
Sanitary fitting
(7ML5632 and 7ML5642)

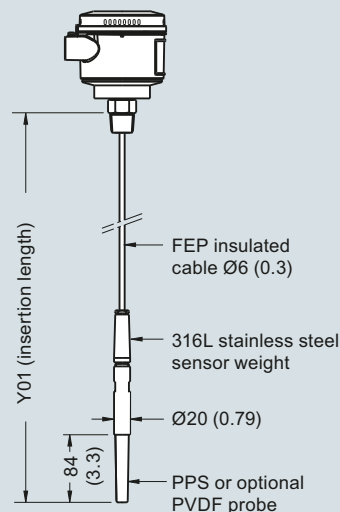


Extended rod version
Threaded
(7ML5630 and 7ML5640)

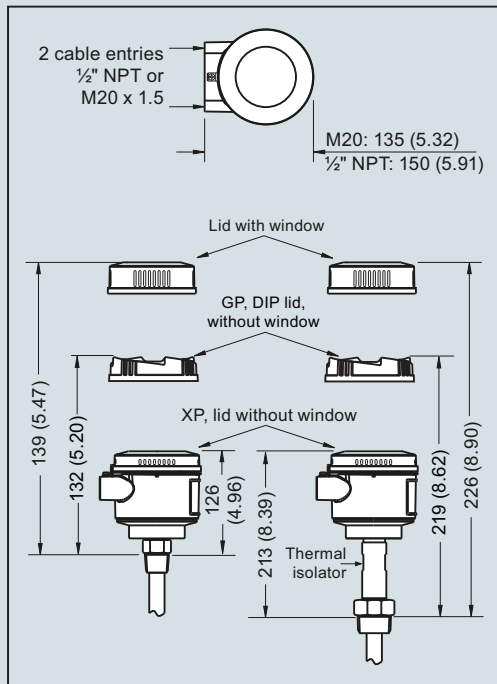


Min. insertion length = 200 (7.87)
Max. insertion length = 5 500 (216)

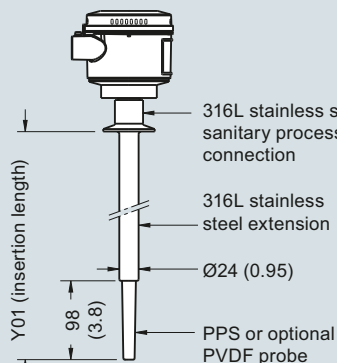
Extended cable version
Threaded
(7ML5631 and 7ML5641)



Min. insertion length = 500 (19.69)
Max. insertion length = 30 000 (1 181)
Applicable for liquids and solids applications. Cable can be shortened on site.

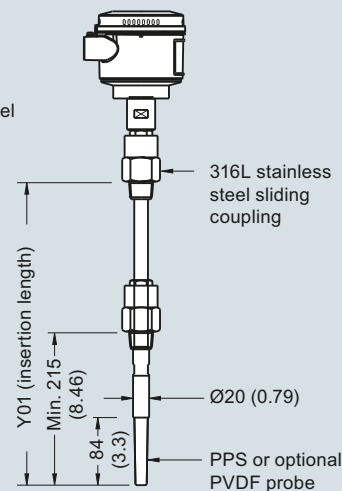


Sanitary extended version
Sanitary fitting
(7ML5632 and 7ML5642)



Min. insertion length = 110 (4.3)
Max. insertion length = 5 500 (216)

Sliding coupling version
Threaded
(7ML5633 and 7ML5643)



Min. insertion length = 350 (13.82)
Max. insertion length = 5 500 (216)

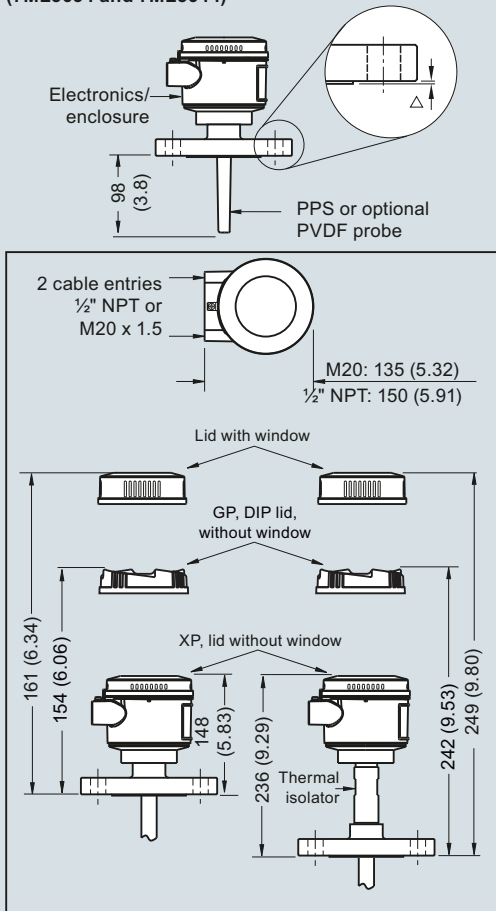
Pointek CLS200 threaded/sanitary process connections, dimensions in mm (inch)

Level Measurement

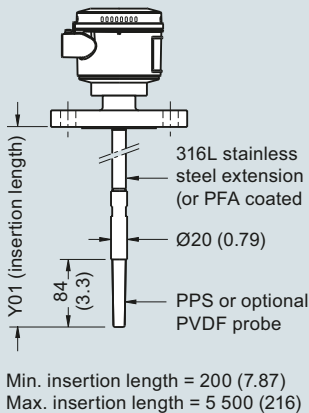
Point level measurement
RF Capacitance switches

Pointek CLS200 - Standard and Digital

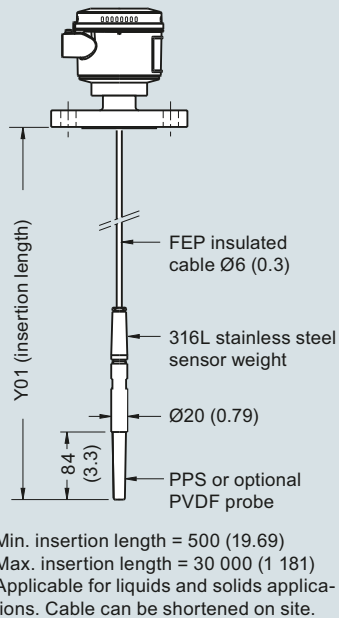
Compact version
Welded Flange (7ML5630 and 7ML5640)
Welded Flange, PFA coated
(7ML5634 and 7ML5644)



Extended rod version
Welded Flange (7ML5630 and 7ML5640)
Welded Flange, PFA coated
(7ML5634 and 7ML5644)



Extended cable version
Welded Flange
(7ML5631 and 7ML5641)



Flange Facing (raised face)	
Flange Class	Facing thickness
△ ASME 150/300	2 (0.08)
△ ASME 600/900	7 (0.28)
△ PN16/40	2 (0.08)

Insertion length does not include any raised face/gasket face dimension (see Flange Facing Table above)

Pointek CLS200 flanged process connections, dimensions in mm (inch)

