

Pressure Measurement

Fittings

Accessories

1

Connection parts

Overview

Connection parts are available in the following versions:

- Threaded flange pair G $\frac{1}{2}$ with stainless steel gasket
- Nipple G $\frac{1}{2}$ form V to DIN 19207
- Union nut G $\frac{1}{2}$ made of C 35 to DIN 16284
- Gasket B $\frac{1}{2}$ (grooved) to DIN 19207

All connection parts are also available grease-free for oxygen.

Selection and Ordering data

Article No.

Threaded flange pair G $\frac{1}{2}$

- with stainless steel gasket
- grease-free for oxygen, with stainless steel gasket

Scope of delivery:

2x threaded flanges G $\frac{1}{2}$ to DIN 19207; material: P250GH (mat. No. 1.0460)

4x hexagon screws M10x45 to DIN EN 24014; Material: C35E (mat. No. 1.1181)

4x hexagon screws M10x50 to DIN EN 24032

1x gasket G $\frac{1}{2}$ (7MF9007-6BA) grooved, to DIN 19207;

Material: X 6 CrNiMoTi 17 12 2 (mat. No. 1.4571/316Ti)

Only for 7MF9007-4CA!

1x gasket G $\frac{1}{2}$ (7MF9007-6CA), grease-free for oxygen, grooved, to DIN 19207;

Material: X 6 CrNiMoTi 17 12 2 (mat. No. 1.4571/316Ti)

Only for 7MF9007-4DA!

7MF9007-4CA

7MF9007-4DA

Nipple G $\frac{1}{2}$

to DIN 19207

- Material: 16 Mo 3 (mat. No. 1.5415)
- grease-free for oxygen, Material: X 6 CrNiMoTi 17 12 2 (mat. No. 1.4571/316Ti)

7MF9007-4KA

7MF9007-4LA

Union nut G $\frac{1}{2}$

to DIN 16284

- Material: C35E (mat. No. 1.1181)
- grease-free for oxygen, Material: X 6 CrNiMoTi 17 12 2 (mat. No. 1.4571/316Ti)

7MF9007-4MA

7MF9007-4NA

Gasket G $\frac{1}{2}$

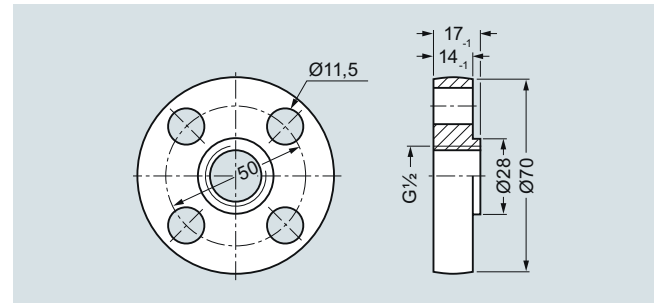
to DIN 19207, grooved

- Material: X 6 CrNiMoTi 17 12 2 (mat. No. 1.4571/316Ti)
- grease-free for oxygen, Material: X 6 CrNiMoTi 17 12 2 (mat. No. 1.4571/316Ti)

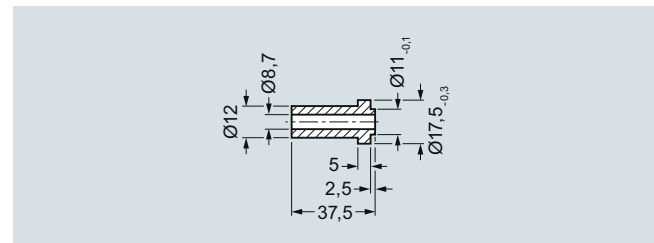
7MF9007-6BA

7MF9007-6CA

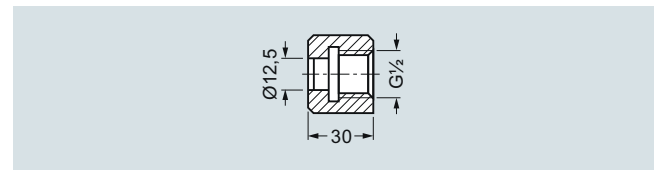
Dimensional drawings



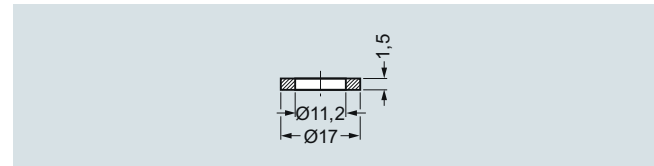
Threaded flange 7MF9007-4CA/-4DA, dimensions in mm



Nipple G $\frac{1}{2}$ 7MF9007-4KA/-4LA, dimensions in mm



Union nut G $\frac{1}{2}$ 7MF9007-4MA/-4NA, dimensions in mm



Gasket 7MF9007-6BA/-6CA, dimensions in mm