

#### Welding-type protective tube

##### Welded-in protective tubes to DIN 43772 for SITRANS TS500

- Tapered shank with cylindrical welding stubs
- For measuring insert tube with 6 mm (0.24 inch)
- OD female thread M18 x 1.5

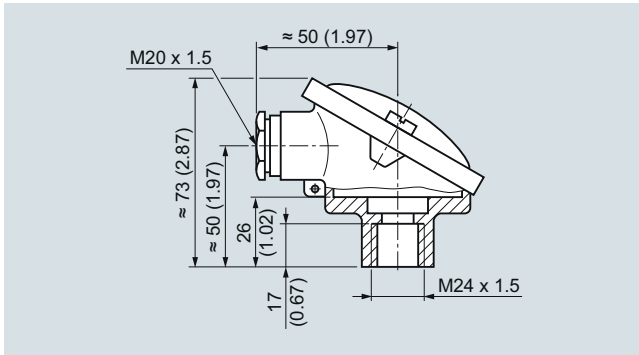
#### Neck tube

##### Extension tube for SITRANS TS500

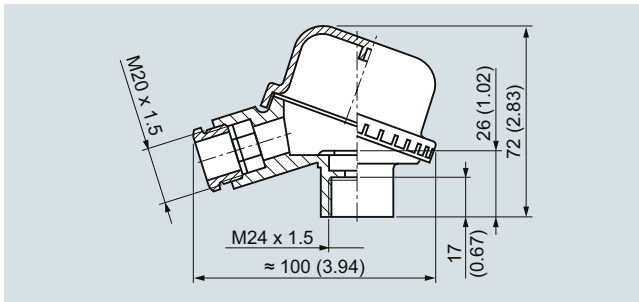
- Made of stainless steel, mat. No. 1.4571
- With threads at both ends
- For measuring insert tube with 6 mm (0.24 inch) OD

#### Dimensional drawings

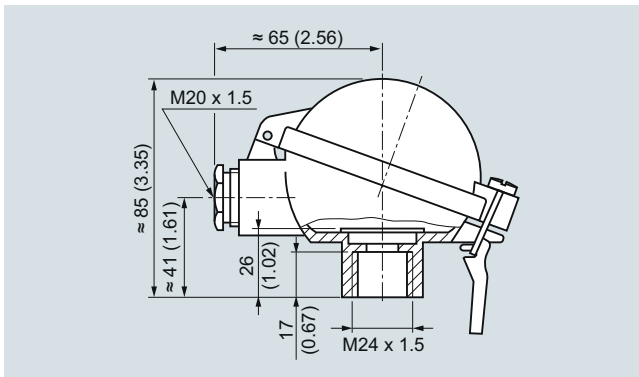
##### Connection head type B for SITRANS TS500



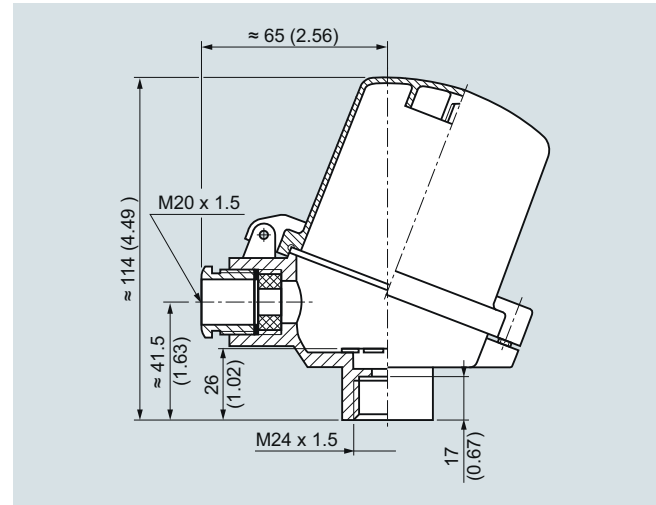
Connection head, Type B, degree of protection IP54, made of aluminium, with screw cover, dimensions in mm (inches)



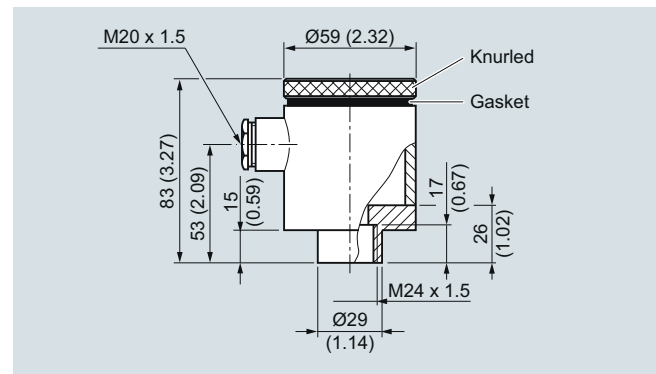
Connection head, Type B, degree of protection IP54, made of plastic, with screw cover, dimensions in mm (inches)



Connection head, Type B, degree of protection IP65, made of aluminium, with standard hinged cover, dimensions in mm (inches)



Connection head, Type B, degree of protection IP65, made of aluminium, with high hinged cover, dimensions in mm (inches)



Connection head, Type B-VA, degree of protection IP65, made of stainless steel, with screw cover, dimensions in mm (inches)

## Temperature Measurement

### Resistance thermometers

#### Accessories – Welding-type protective tubes, neck tubes and connection heads

##### Selection and Ordering data

Article No.

##### Welded-in protective tubes to DIN 43772 for SITRANS TS500

Welding form 4

- Tapered shank with cylindrical welding stub
- For measuring insert tube with 6 mm (0.24 inch) OD
- OD female thread M18 x 1.5

##### Up to 540 °C (1004 °F)

##### Protective tube to DIN 43772, form 4 made of 13 CrMo 44, mat. No. 1.7335

Cone length C mm (inch)	Protective tube length L mm (inch)	Weight mm (inch)
• 65 (2.56)	140 (5.51)	0.3 (0.66)
• 65 (2.56)	200 (7.87)	0.5 (1.1)
• 125 (4.92)	200 (7.87)	0.5 (1.1)
• 125 (4.92)	260 (10.24)	0.6 (1.32)

7MC1905-1GA  
7MC1905-2GA  
7MC1905-3GA  
7MC1905-4GA

##### Up to 550 °C (1022 °F)

##### Protective tube to DIN 43772, form 4 made of 6 CrNiMoTi 17122, mat. No. 1.4571

Cone length C mm (inch)	Protective tube length L mm (inch)	Weight kg (lb)
• 65 (2.56)	140 (5.51)	0.3 (0.66)
• 65 (2.56)	200 (7.87)	0.5 (1.1)
• 125 (4.92)	200 (7.87)	0.5 (1.1)
• 125 (4.92)	260 (10.24)	0.6 (1.32)

7MC1905-1DA  
7MC1905-2DA  
7MC1905-3DA  
7MC1905-4DA

##### Selection and Ordering data

Article No.

##### Extension tube for SITRANS TS500

Neck tube for high-pressure screw-in resistance thermometer

made of stainless steel, mat. No. 1.4571, with thread at both ends, for measuring insert tube with 6 mm (0.24 inch) OD

Neck tube length mm (inch)	Total length of the resistance thermometer, without connection head mm (inch)	Protective tube length mm (inch)	Weight kg (lb)
• 135 (5.31)	395 (15.55)	260 (10.24)	0.14 (0.31)
• 165 (6.50)	305/365 (12.01/14.37)	140/200 (5.51/7.87)	0.15 (0.33)
• 195 (7.68)	395 (15.55)	200 (7.87)	0.18 (0.40)
• 225 (8.86)	365 (14.37)	140 (5.51)	0.20 (0.44)
• 255 (10.04)	395 (15.55)	140 (5.51)	0.22 (0.49)

7MC1906-1AA  
7MC1906-2AA  
7MC1906-3AA  
7MC1906-4AA  
7MC1906-5AA

##### Selection and Ordering data

Article No

##### Connection head type B for SITRANS TS500

Degree of protection IP54

- Connection head type: similar to BA0; aluminium; Flange cover
- Connection head type: Similar to BM0; plastic; screw cover

7MC1907-1BA

7MC1907-1BK

Degree of protection IP65

- Connection head type: Similar to BB0; aluminium; small hinged lid
- Connection head type: Similar to BC0; aluminium; high hinged lid
- Connection head type: B-VA, stainless steel
- Quick-release clamp for connection heads BB0, BC0, degree of protection of connection head reduced to IP20, weight: 0.02 kg (0.04 lb)

7MC1907-1BF

7MC1907-1BL

7MC1907-1BV

7MC1907-1BS