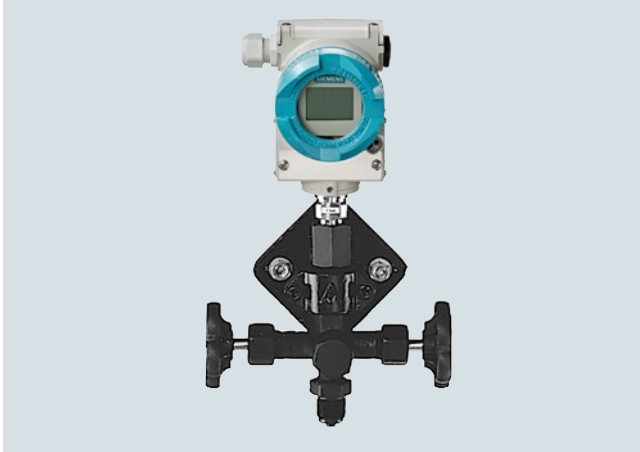


Overview



Transmitter for pressure with double shut-off valve 7MF9401-...

The shut-off valves for pressure gauges are used to shut off the line of the measured medium when dealing with aggressive and non-aggressive gases, vapors and liquids.

Design

A water trap must be connected upstream of the shut-off valve in the case of temperatures of the medium above 120 °C. The shut-off valves form B have a shaft with which they can be secured on an instrument bracket. An adapter is therefore not required to secure these valves. The vent/test connection can be shut off separately with the double shut-off valves DN 5. This permits checking of the zero on the pressure gauge. In addition, the characteristic of the pressure gauge can be checked using an external pressure source. The valve packing material is PTFE.

Selection and Ordering data

Article No.

Shut-off valves, form B, DIN 16270

without test collar, connection shank,
without certificate

| Material Valve housing | Maximum permissible working pressure | |
|---|---|--------------------|
| CW614N (CuZn39Pb3) (mat. No. 2.0402) | 250 bar (3626 psi) | 7MF9401-7AA |
| P250GH (mat. No. 1.0460) | 400 bar (5800 psi) | 7MF9401-7AB |
| X 6 CrNiMoTi 17 12 2 (mat. No. 1.4571/316Ti) | 400 bar (5800 psi) | 7MF9401-7AC |

Shut-off valves, form B, DIN 16271

with test collar, connection shank,
without certificate

| Material Valve housing | Maximum permissible working pressure | |
|---|---|--------------------|
| CW614N (CuZn39Pb3) (mat. No. 2.0402) | 250 bar (3626 psi) | 7MF9401-7BA |
| P250GH (mat. No. 1.0460) | 400 bar (5800 psi) | 7MF9401-7BB |
| X 6 CrNiMoTi 17 12 2 (mat. No. 1.4571/316Ti) | 400 bar (5800 psi) | 7MF9401-7BC |

Selection and Ordering data

Article No.

Shut-off valves, form B, DIN 16270

without test collar, pipe union with ferrule
12 S DIN EN ISO 8434-1, without certificate

| Material Valve housing | Maximum permissible working pressure | |
|---|---|--------------------|
| P250GH (mat. No. 1.0460) | 400 bar (5800 psi) | 7MF9401-8AB |
| X 6 CrNiMoTi 17 12 2 (mat. No. 1.4571/316Ti) | 400 bar (5800 psi) | 7MF9401-8AC |

Shut-off valves, form B, DIN 16271

with test collar, pipe union with ferrule
12 S DIN EN ISO 8434-1, without certificate

| Material Valve housing | Maximum permissible working pressure | |
|---|---|--------------------|
| P250GH (mat. No. 1.0460) | 400 bar (5800 psi) | 7MF9401-8BB |
| X 6 CrNiMoTi 17 12 2 (mat. No. 1.4571/316Ti) | 400 bar (5800 psi) | 7MF9401-8BC |

Double shut-off valves, form B, DIN 16272

with test collar, connection shank,
without certificate

| Material Valve housing | Maximum permissible working pressure | |
|---|---|--------------------|
| CW614N (CuZn39Pb3) (mat. No. 2.0402) | 250 bar (3626 psi) | 7MF9401-7DA |
| P250GH (mat. No. 1.0460) | 400 bar (5800 psi) | 7MF9401-7DB |
| X 6 CrNiMoTi 17 12 2 (mat. No. 1.4571/316Ti) | 400 bar (5800 psi) | 7MF9401-7DC |

Double shut-off valves, form B, DIN 16272

with test collar, pipe union with ferrule
12 S DIN EN ISO 8434-1, without certificate

| Material Valve housing | Maximum permissible working pressure | |
|---|---|--------------------|
| P250GH (mat. No. 1.0460) | 400 bar (5800 psi) | 7MF9401-8DB |
| X 6 CrNiMoTi 17 12 2 (mat. No. 1.4571/316Ti) | 400 bar (5800 psi) | 7MF9401-8DC |

Accessories

Factory test certificate EN 10204-2.2

7MF9000-8AB

Material acceptance test certificate
EN 10204-3.1

7MF9000-8AD

Instrument bracket, see page 1/480.

Pressure Measurement

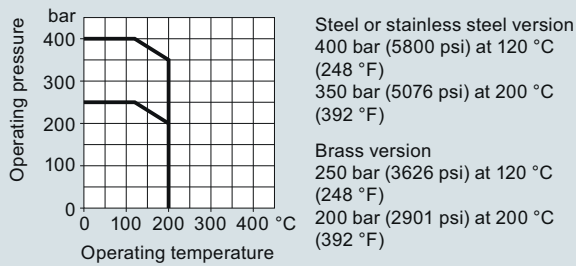
Fittings

Shut-off valves for gauge and absolute pressure transmitters

Shut-off valves to DIN 16270, DIN 16271 and DIN 16272

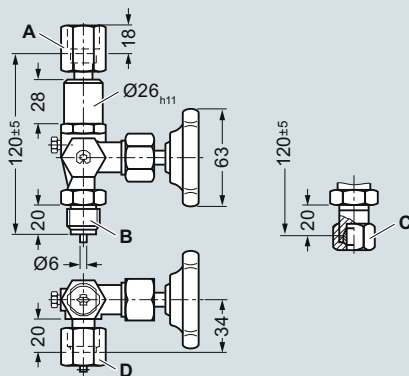
1

Characteristic curves



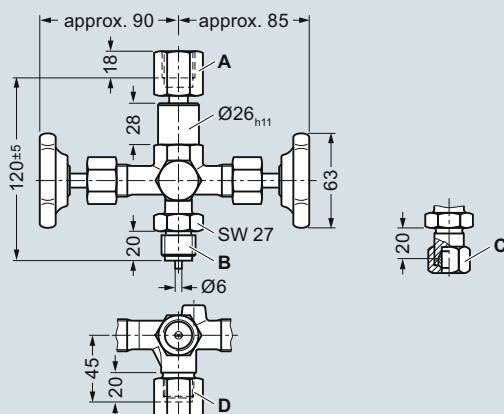
Permissible operating pressure as a function of the permissible operating temperature

Dimensional drawings



- A Connection on device side: to DIN 16284, G½, SW 27
- B Connection on measurement side: connection shank to DIN EN 837-1, G½
- C Connection on measurement side: pipe union with ferrule 12 mm diameter, S series, to DIN EN ISO 8434-1
- D Connection on test collar (with sealing cap): thread M20 x 1,5

Shut-off valve, form B, dimension drawing, dimensions in mm



- A Connection on device side: to DIN 16284, G½, SW 27
- B Connection on measurement side: connection shank to DIN EN 837-1, G½
- C Connection on measurement side: pipe union with ferrule 12 mm diameter, S series, to DIN EN ISO 8434-1
- D Connection on test collar (with sealing cap): thread M20 x 1,5

Double shut-off valve, form B, dimension drawing, dimensions in mm