

| Selection and Ordering data | Article No. | Selection and Ordering data | Article No. |
|--|--|--|--|
| <i>Accessories/Spare parts</i> | | | |
| Mounting bracket and fastening parts for pressure transmitters SITRANS P410 with HART, P410 with PROFIBUS PA and P410 with FOUNDATION Fieldbus (7MF403-.....A., ..B., ..D. and ..F.) <ul style="list-style-type: none"> made of steel made of stainless steel 304/1.4301 made of stainless steel 316L/1.4404 | 7MF4997-1AB 7MF4997-1AH 7MF4997-1AP | Mounting screws For measuring point label, grounding and connection terminals or for display (50 units) | 7MF4997-1CD |
| Mounting bracket and fastening parts for pressure transmitters SITRANS P410 with HART, P410 with PROFIBUS PA and P10with FOUNDATION Fieldbus (7MF403-.....A., ..B., ..D. and ..F.) <ul style="list-style-type: none"> made of steel made of stainless steel 304/1.4301 made of stainless steel 316L/1.4404 | 7MF4997-1AC 7MF4997-1AJ 7MF4997-1AQ | Sealing screws (1 set = 2 units) for process flange <ul style="list-style-type: none"> made of stainless steel made of Hastelloy | 7MF4997-1CG 7MF4997-1CH |
| Mounting and fastening brackets For differential pressure transmitters with flange thread M10 SITRANS P410 with HART, P410 with PROFIBUS PA and P410 with FOUNDATION Fieldbus (7MF443-....) <ul style="list-style-type: none"> made of steel made of stainless steel 304/1.4301 made of stainless steel 316L/1.4404 | 7MF4997-1AD 7MF4997-1AK 7MF4997-1AR | Sealing screws with vent valve Complete (1 set = 2 units) <ul style="list-style-type: none"> made of stainless steel made of Hastelloy | 7MF4997-1CP 7MF4997-1CQ |
| Mounting and fastening brackets For differential pressure transmitters with flange thread M12 SITRANS P410 with HART, P410 with PROFIBUS PA and P410 with FOUNDATION Fieldbus (7MF453-....) <ul style="list-style-type: none"> made of steel made of stainless steel 304/1.4301 made of stainless steel 316L/1.4404 | 7MF4997-1AE 7MF4997-1AL 7MF4997-1AS | Connection board <ul style="list-style-type: none"> for SITRANS P410 for SITRANS P410 with PROFIBUS PA and P410 with FOUNDATION Fieldbus | 7MF4997-1DN 7MF4997-1DP |
| Mounting and fastening brackets For differential pressure transmitters with flange thread 7/16 -20 UNF SITRANS P410 with HART, P410 with PROFIBUS PA and P410 with FOUNDATION Fieldbus (7MF443-.... and 7MF453-....) <ul style="list-style-type: none"> made of steel made of stainless steel 304/1.4301 made of stainless steel 316L/1.4404 | 7MF4997-1AF 7MF4997-1AM 7MF4997-1AT | O-rings for process flanges made of: <ul style="list-style-type: none"> FPM (Viton) PTFE (Teflon) FEP (with silicone core, approved for food) FFPM (Kalrez) NBR (Buna N) | 7MF4997-2DA 7MF4997-2DB 7MF4997-2DC 7MF4997-2DD 7MF4997-2DE |
| Cover Made of die-cast aluminum, including gasket, for SITRANS P410 with HART, P410 with PROFIBUS PA and P410 with FOUNDATION Fieldbus. Compatible for Ex and non-Ex transmitters <ul style="list-style-type: none"> without window with window | 7MF4997-1BB 7MF4997-1BE | Sealing ring for process connection | see "Fittings" |
| Cover Made of stainless steel, including gasket, or SITRANS P410 with HART, P410 with PROFIBUS PA and P410 with FOUNDATION Fieldbus. Compatible for Ex and non-Ex transmitters <ul style="list-style-type: none"> without window with window | 7MF4997-1BC 7MF4997-1BF 7MF4997-1BR | | |
| Digital indicator Including mounting material, for SITRANS P410 with HART, P410 with PROFIBUS PA and P410 with FOUNDATION Fieldbus | | | |
| Measuring point label <ul style="list-style-type: none"> without inscription (5 units) Printed (1 unit) Data according to Y01 or Y02, Y15, Y16 and Y99 (see "Pressure transmitters") | 7MF4997-1CA 7MF4997-1CB-Z Y...: | | |

Pressure Measurement

Pressure transmitters
for applications with advanced requirements (Advanced)
SITRANS P410

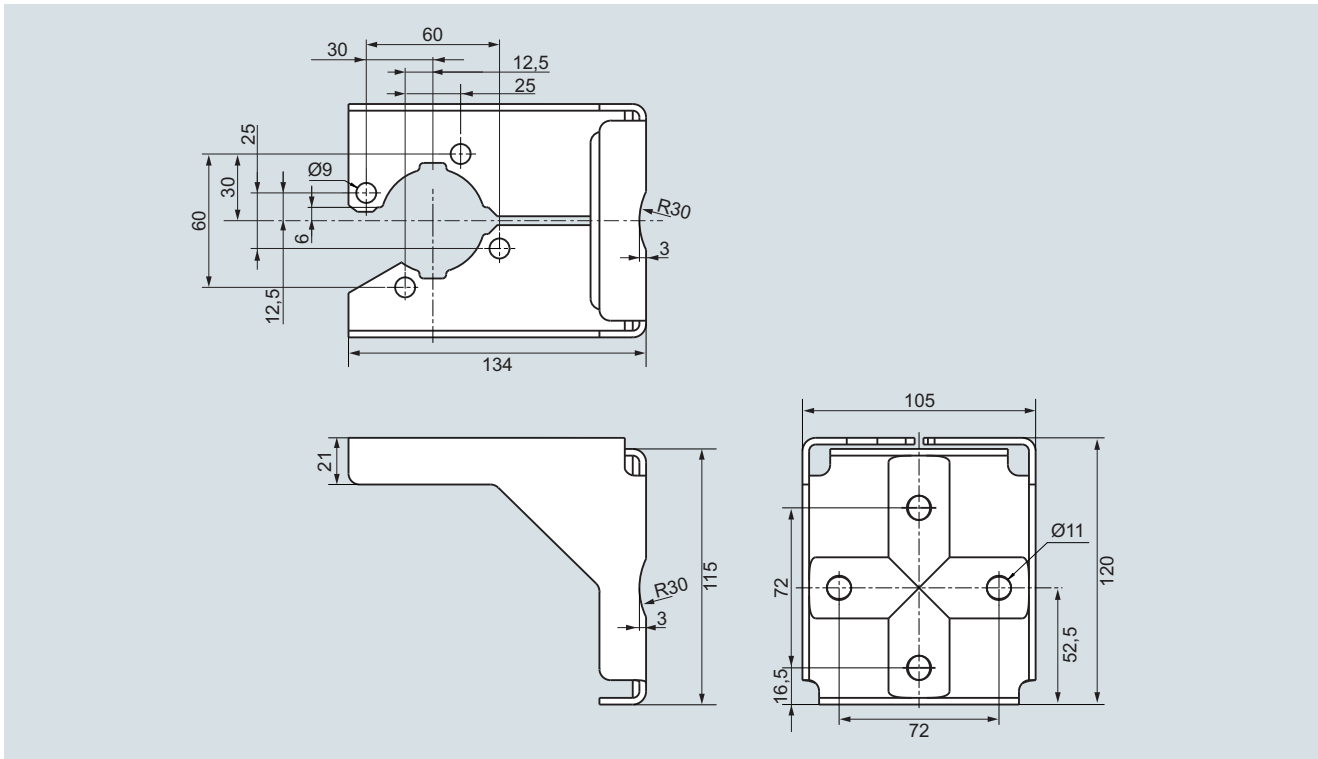
1

Accessories/Spare parts

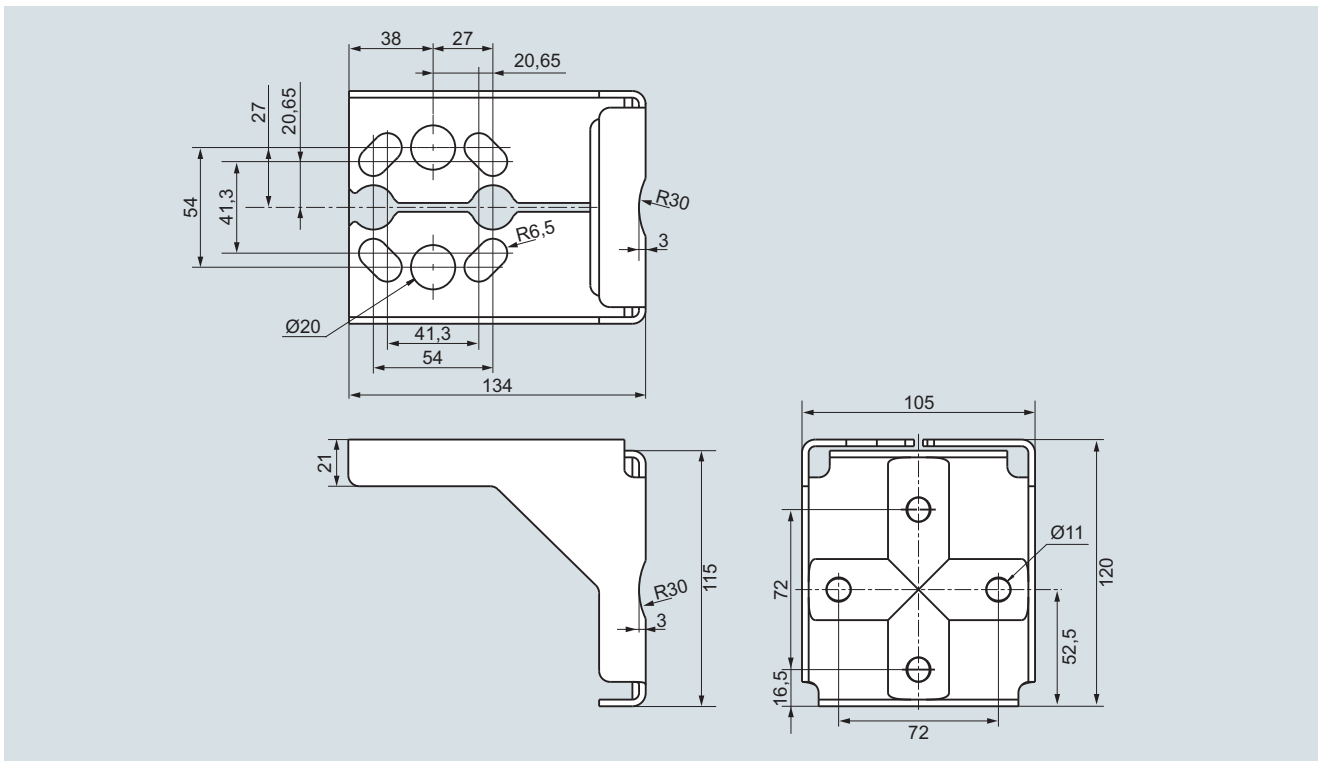
| Selection and Ordering data | Article No. |
|---|--|
| Documentation The entire documentation is available for download free-of-charge in various languages at: http://www.siemens.com/processinstrumentation/documentation Compact operating instructions SITRANS P DS III/P410 <ul style="list-style-type: none"> • English, German, Spanish, French, Italian, Dutch | A5E03434626 |
| Certificates (order only via SAP) instead of Internet download <ul style="list-style-type: none"> • hard copy (to order) • on DVD (to order) | A5E03252406 A5E03252407 |
| HART modem with USB interface | 7MF4997-1DB |

Power supply units see Chap. 7 "Supplementary Components".

Dimensional drawings



Mounting bracket for SITRANS P410 gauge pressure-transmitters, dimensions in mm
mounting bracket material: Sheet-steel Mat. No. 1.0330, chrome-plated, or stainless steel Mat. No. 1.4301 (304)



Mounting bracket for SITRANS P410 differential pressure transmitter, dimensions in mm
mounting bracket material: Sheet-steel Mat. No. 1.0330, chrome-plated, or stainless steel Mat. No. 1.4301 (304)