

Pressure Measurement

Pressure transmitters for food, pharmaceuticals and biotechnology

SITRANS P300 Accessories/Spare parts

1

Selection and Ordering data	Article No.	Selection and Ordering data	Article No.
<i>Spare parts / Accessories</i>		Documentation	
Mounting bracket and fastening parts kit made of stainless steel	7MF8997-1AA	The entire documentation is available for download free-of-charge in various languages at: http://www.siemens.com/processinstrumentation/documentation	
Lid without window gasket not included	7MF8997-1BA	Compact operating instructions	
Lid with glass window gasket not included	7MF8997-1BD	• English, German, Spanish, French, Italian, Dutch	A5E03434657
NBR enclosure sealing	7MF8997-1BG	Certificates (order only via SAP) instead of Internet download	
Measuring point label unlabeled	7MF8997-1CA	• hard copy (to order)	A5E03252406
Cable gland • metal • plastic (blue)	7MF8997-1EA 7MF8997-1EB	• on DVD (to order)	A5E03252407
Weldable sockets for PMC connection • PMC Style Standard: Thread 1½" • PMC Style Minibolt: front-flush 1"	7MF4997-2HA 7MF4997-2HB	HART modem with USB interface	7MF4997-1DB
Gaskets for PMC connection (packing unit = 5 units) • PTFE seal for PMC Style Standard: Thread 1½" • Gasket made of Viton for PMC Style Minibolt: front-flush 1"	7MF4997-2HC 7MF4997-2HD	Power supply units see Chap. 7 "Supplementary Components".	
Weldable socket for TG 52/50 and TG 52/150 connection • TG 52/50 connection • TG5 2/150 connection	7MF4997-2HE 7MF4997-2HF		
Seals for TG 52/50 and TG 52/150 made of silicone	7MF4997-2HG		
Seals for flange connection with front-flush diaphragm Material FKM (Viton); temperature range: -20 ... +200 °C (-4 ... +392 °F), 10 units • DN 25, PN 40 (M11) • 1", class 150 (M40)	7MF4997-2HH 7MF4997-2HK		

Pressure Measurement

Pressure transmitters

for food, pharmaceuticals and biotechnology

1

SITRANS P300 - Factory-mounting of valve manifolds on transmitters

Overview

The SITRANS P300 transmitter for gauge and absolute pressure can be delivered factory-fitted with the following valve manifolds:

- 7MF9011-4EA and 7MF9011-4FA valve manifolds for gauge pressure and absolute pressure transmitters

Design

The 7MF9011-4EA valve manifolds are sealed with gaskets made of PTFE between transmitter and the valve manifold as standard. Soft iron, stainless steel and copper gaskets are also available for sealing purposes if preferred.

The 7MF9011-4FA valve manifolds are sealed with PTFE sealing tape between the transmitter and the valve manifold.

Once installed, the complete unit is checked under pressure for leaks (compressed air 6 bar (87 psi)) and is certified leak-proof with a test report to EN 10204 - 2.2.

All valve manifolds should preferably be secured with the respective mounting brackets. The transmitters are mounted on the valve manifold and not on the unit itself.

If you order a mounting bracket when choosing the option "Factory mounting of valve manifolds", you will receive a mounting bracket for the valve manifold instead of a bracket for mounting the transmitter.

If you order an acceptance test certificate 3.1 to EN 10204 when choosing the option "Factory mounting of valve manifolds", a separate certificate is provided for the transmitters and the valve manifolds respectively.

Selection and Ordering data

7MF9011-4FA valve manifold on gauge and absolute pressure transmitters



Add **-Z** to the Article No. of the transmitter and add Order codes

SITRANS P300 7MF802-...1.-...	T03
----------------------------------	------------

With process connection female thread 1/2-14 NPT in-sealed with PTFE sealing tape

Delivery incl. high-pressure test certified by test report to EN 10204-2.2

Further designs:

Delivery includes mounting brackets and mounting clips made of stainless steel (instead of the mounting bracket supplied with the transmitter)	A02
--	------------

Supplied acceptance test certificate to EN 10204- 3.1 for transmitters and mounted valve manifold	C12
---	------------

7MF9011-4EA valve manifold on gauge and absolute pressure transmitters



Add **-Z** to the Article No. of the transmitter and add Order codes

SITRANS P300 7MF802-...0.-...	T02
----------------------------------	------------

with process connection collar G1/2 A to EN 837-1 with gasket made of PTFE between valve manifold and transmitter

Alternative sealing material:

- | | |
|-----------------------------------|------------|
| • Soft iron | A70 |
| • Stainless steel, Mat. No. 14571 | A71 |
| • copper | A72 |

Delivery incl. high-pressure test certified by test report to EN 10204-2.2

Further designs:

Delivery includes mounting brackets and mounting clips made of stainless steel (instead of the mounting bracket supplied with the transmitter)	A02
--	------------

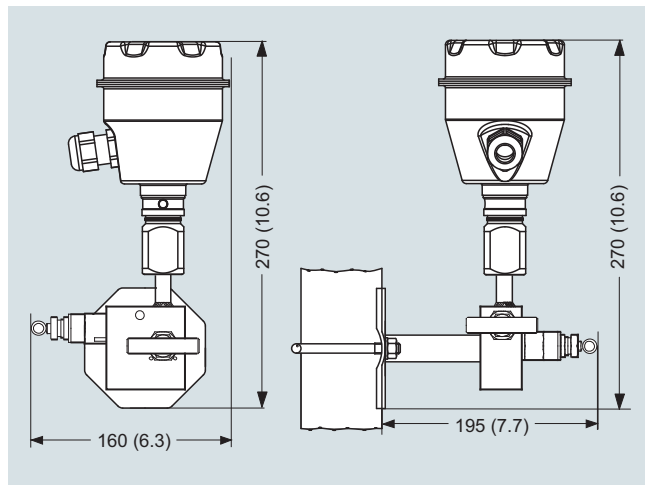
Supplied acceptance test certificate to EN 10204- 3.1 for transmitters and mounted valve manifold	C12
---	------------

Dimensional drawings

Valve manifolds mounted on SITRANS P300



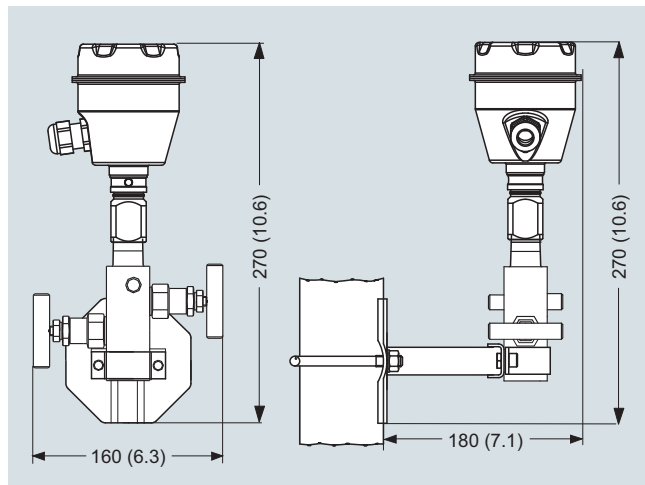
7MF9011-4EA valve manifold with mounted gauge pressure and absolute pressure transmitters



7MF9011-4EA valve manifold with mounted gauge pressure and absolute pressure transmitters, dimensions in mm (inch)



7MF9011-4FA valve manifold with mounted gauge pressure and absolute pressure transmitters



7MF9011-4FA valve manifold with mounted gauge pressure and absolute pressure transmitters, dimensions in mm (inch)