

Pressure Measurement

Fittings

Shut-off valves for differential pressure transmitters

1

Multiway cocks PN 100

Overview



Multiway cock PN 100 (1450 psi) (7MF9004-1P.) for differential pressure transmitters

The multiway cock PN 100 (1450 psi) can be flanged to pressure transmitters for differential pressure.

Benefits

- Version available for aggressive liquids, gases and vapors
- Robust design
- Oil-free and grease-free version possible
- One-hand operation

Application

The PN 100 (1450 psi) multiway cock is available in versions for aggressive and non-aggressive liquids, gases and vapors.

Design

The multiway cock can be flanged with four screws to pressure transmitters for differential pressure.

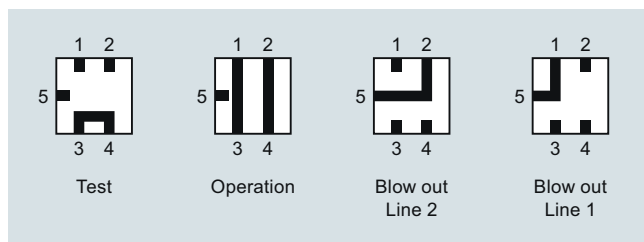
The PN 100 (1450 psi) has 2 process connections and one blow-out connection. A steel version of the multiway cock is available for non-aggressive media, and a stainless steel version for aggressive media. The housing is forged in one piece. The switching lever is removable.

Sealing can be improved during operation.

Note: An accessory set is always required for flanging of the multiway cock to a differential pressure transmitter.

Function

- Shutting off the differential pressure lines
- Blowing out the differential pressure lines
- Testing the pressure transmitter zero



Cock positions; the symbols are printed on the cock

Technical specifications

Multiway cocks PN 100		
Measured medium	Water, non-aggressive liquids and gases	Aggressive liquids, gases and vapors
Material	P250GH, mat. No.: 1.0460	X 6 CrNiMoTi 17 12 2, mat. No. 1.4571/316Ti
Connections	Steel, for pipe Ø 12 mm, L series	Stainless steel, for pipe Ø 12 mm, L series
• Process connection • Connection for blowing out	2 bulkhead glands Pipe union with ferrule	
Max. permissible working temperature	200 °C (392 °F)	
Max. permissible working pressure	100 bar (1450 psi) (up to max. 60 °C (140 °F))	
Weight	2.5 kg	

Selection and Ordering data	Article No.
Multiway cock PN 100 (1450 psi)	7MF9004-1P
Click on the Article No. for the online configuration in the PIA Life Cycle Portal.	
for flanging to pressure transmitters, weight 2.5 kg (without accessory set), without certificate	
For water and non-aggressive gases and vapors	1P
For aggressive liquids, gases and vapors	1Q
Accessories	
Factory test certificate EN 10204-2.2	7MF9000-8AB
Material acceptance test certificate EN 10204-3.1	7MF9000-8AD

Selection and Ordering data	Order code	Article No.
Further designs¹⁾ Please add "-Z" to Article No. and specify Order code.		
Accessory set to EN (required for flanging, weight 0.2 kg) 4x screws 7/16-20 UNF x 1 inch to ASME B18.2.1; chromized steel 2x gaskets made of PTFE, max. permissible temperature 80 °C (176 °F)	L31	7MF9004-5CC
Accessory set to DIN (required for flanging, weight 0.2 kg) 4x screws M10x25 to DIN EN 24017; chromized steel, 4x washers Ø 10.5 mm to DIN 125; 2x gaskets made of PTFE, max. permissible temperature 80 °C (176 °F)	L11 L15	7MF9004-6AD 7MF9004-6AE
• Standard design • Version for oxygen (together with Order code S11)		
Multiway cock in oil-free and grease-free design	S11	
Oil- and grease-free cleaning for oxygen applications, max. pressure PN 100 (1450 psi) and max. temperature 60 °C (140 °F), BAM-tested lubricant, gasket suitable for oxygen measurement (only with Article No. 7MF9004-1Q.Z)		
Mounting bracket Required for wall mounting or for securing on rack (72 mm grid), made of electrogalvanized sheet-steel, weight 0.85 kg	M13	7MF9004-6AA
NACE MR-0175-certified incl. acceptance test certificate 3.1 to EN 10204 (only available for version 7MF9004-1QA)	D07	

¹⁾ When ordering accessory set or mounting together with the multiway cock, please use Order code; otherwise use Article No.

Accessories**Accessory set for multiway cock PN 100**

- L31: 4 screws $7/16$ -20 UNF x 1 inch, 2 flat gaskets
- L11: 4 screws M10x25 to DIN EN 24017, 4 washers, 2 flat gaskets
- L15 (suitable for oxygen): 4 screws M10x25 to DIN EN 24017, 4 washers, 2 flat gaskets

Washers \varnothing 10.5 to DIN 125

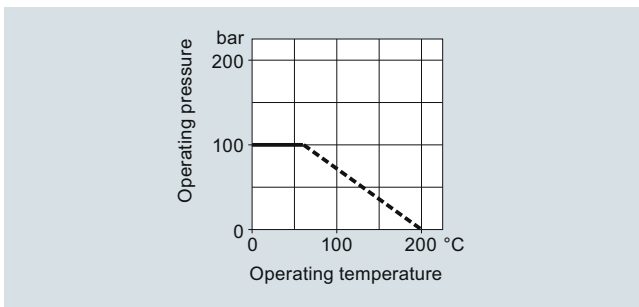
Flat gaskets made of PTFE, max. permissible temperature 80 °C (176 °F)

Multiway cock in oil-free and grease-free design

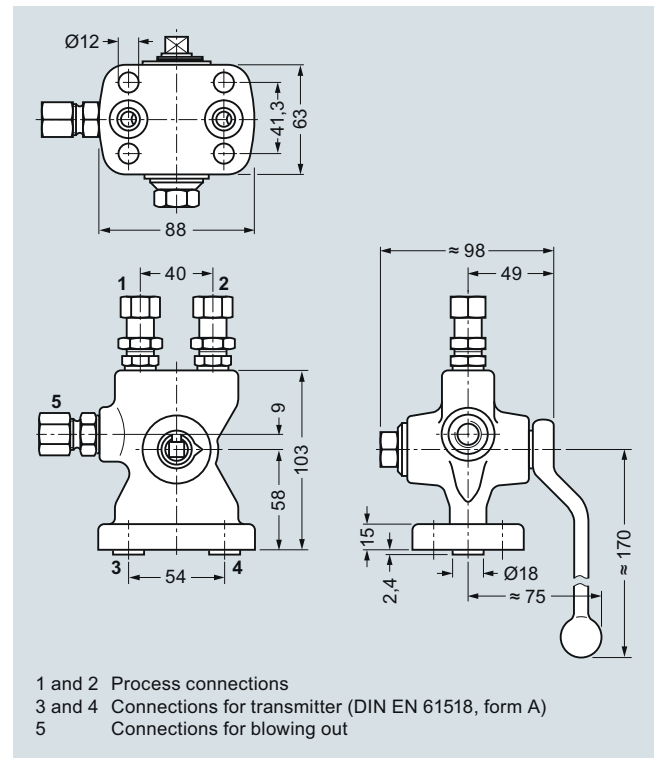
- S11 (only for aggressive liquids, gases and vapors (7MF9004-1Q.)): Max. PN 63 (914 psi) (instead of PN 100 (1450 psi)), BAM-tested lubricant, gasket suitable for oxygen

Mounting brackets

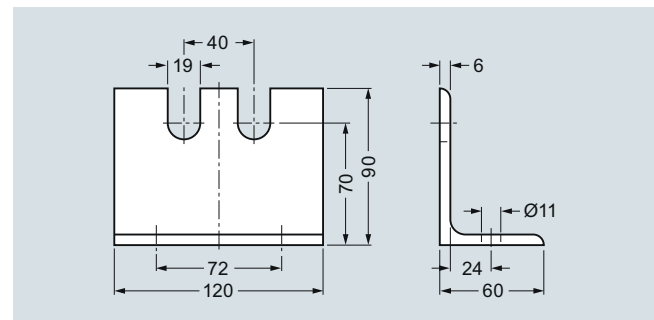
- M13: Required for wall mounting or for securing on rack (72 mm grid); made of electrogalvanized sheet-steel

Characteristic curves

Multiway cock PN 100 (1450 psi), permissible operating pressure as a function of the permissible operating temperature

Dimensional drawings

Multiway cock 7MF9004-1P, for flanging to pressure transmitters for differential pressure, dimensions in mm



Mounting bracket 7MF9004-6AA (M13), dimensions in mm