

Pressure Measurement

Fittings

Shut-off valves for gauge and absolute pressure transmitters

Accessories for shut-off valves/double shut-off valves

Overview

The mounting set is suitable for the double shut-off valves 7MF9011-4.A and for wall, rack and pipe mounting.

Selection and Ordering data

Article No.

Mounting set for shut-off valves

- 7MF9011-4DA and -4EA

made of stainless steel, scope of delivery:
1x mounting bracket,
2x hexagon screws M6x40,
1x mounting clip,
2x washers 8.4 to DIN 125;
2x hexagon nuts 8.4 to DIN EN 24032

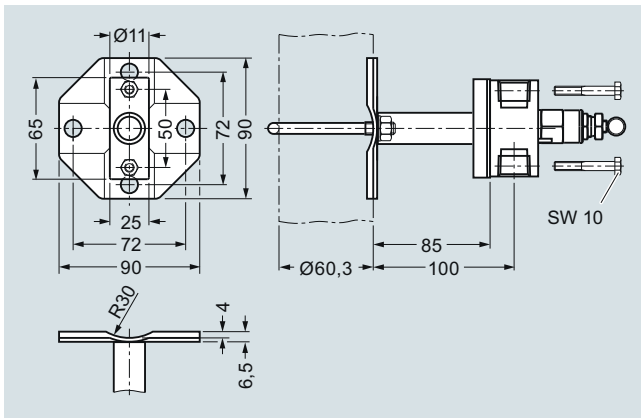
7MF9011-8AB

- 7MF9011-4FA, -4GA, 4HA, -4KA and -3HA

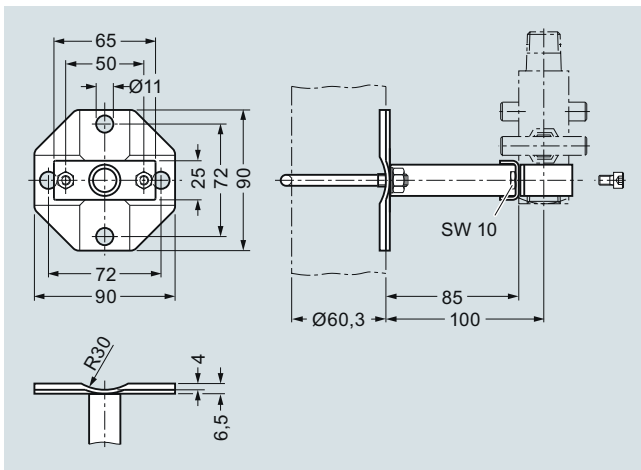
made of stainless steel, scope of delivery:
1x mounting bracket,
2x hexagon screws M6x10,
1x mounting clip,
2x washers 8.4 to DIN 125;
2x hexagon nuts 8.4 to DIN EN 24032

7MF9011-8AC

Dimensional drawings



Mounting bracket (7MF9011-8AB) for shut-off valves 7MF9011-4DA and 7MF9011-4EA for wall, rack or pipe mounting, dimensions in mm



Mounting bracket (7MF9011-8AC) for shut-off valves 7MF9011-4FA and 7MF9011-4GA for wall, rack or pipe mounting, dimensions in mm

Overview

The instrument brackets are needed to mount the following units:

- Pressure gauges with threaded connection at the bottom
- Shut-off valves to DIN 16270, DIN 16271 and DIN 16272 (7MF9401-7.. and 7MF9401-8..)

Selection and Ordering data

Article No.

Instrument bracket, form H, DIN 16281

(e.g. for gauge)
made of aluminium alloy, painted black,
for wall mounting, screw-type bracket cover

- Projection length 60 mm
- Projection length 100 mm

M56340-A0046
M56340-A0047

Instrument bracket, form A, DIN 16281

(e.g. for transmitter)
made of annealed cast iron, galvanized and primed
for mounting on a wall or rack or on a sectional rail (horizontal/vertical);
Screw-type bracket cover

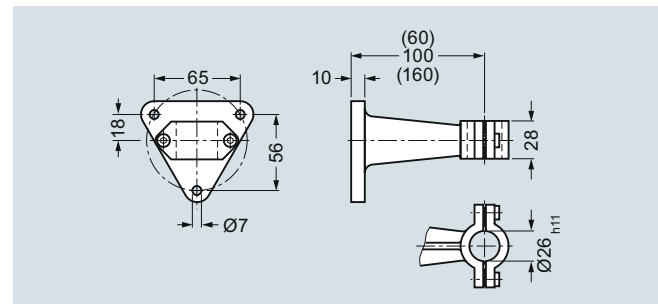
M56340-A0053

Instrument bracket, form A, DIN 16281

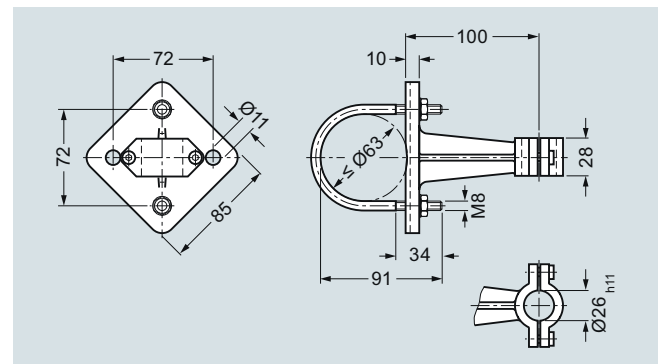
(e.g. for transmitter)
made of annealed cast iron, galvanized and primed with pipe clamp for **wall and pipe mounting** (horizontal/vertical)
Screw-type bracket cover

M56340-A0079

Dimensional drawings



Instrument bracket form H, for wall mounting, M56340-A0046/-A0047, dimensions in mm



Instrument bracket form A, wall or pipe mounting, M56340-A0053/-A0079, dimensions in mm