

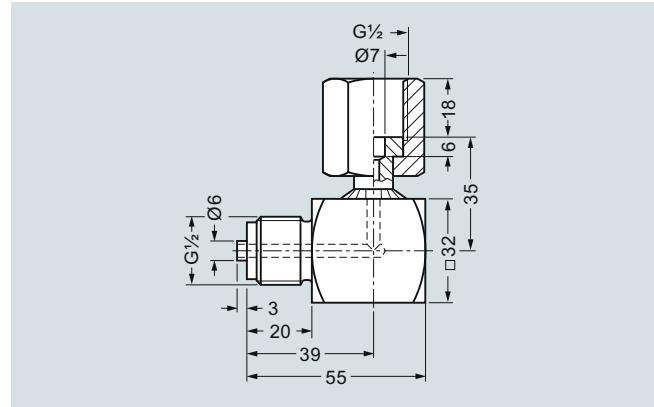
Overview



P300 pressure transmitter with shut-off valve and angle adapter

The angle adapter enables pressure transmitters with top displays to be read from the front.

Dimensional drawings



Angle adapter, dimensions in mm

Selection and Ordering data

Angle adapters

Material: X 12 CrNiMoTi 17 12 2 (mat. No. 1.45714/316Ti), max. permissible operating pressure 400 bar (5800 psi)

Accessories

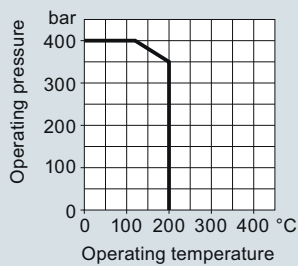
Factory test certificate EN 10204-2.2

Material acceptance test certificate EN 10204-3.1

Article No.

7MF9401-7WA**7MF9000-8AB****7MF9000-8AD**

Characteristic curves



Stainless steel version
400 bar (5800 psi) at 120 °C
(248 °F)
350 bar (5076 psi) at 200 °C
(392 °F)

Permissible operating overpressure as a function of the permissible operating temperature