

**Overview**


The oval flange 7MF9408-2C, for pressure transmitters for absolute pressure and differential pressure has a ½-14 NPT female thread and is designed for max. operating pressure 400 bar (5800 psi).

**Accessories**
**Accessory set for oval flange**

- E36: 2 screws 7/16-20 UNF x 1½ inch to ASME B18.2.1, 1 flat gasket
- E34: 2 screws 7/16-20 UNF x 1½ inch to ASME B18.3, 1 O-ring (FPM 90)
- E13: 2 screws M10x40 to DIN EN 4762, 2 washers, 1 O-ring (FPM 90)
- E16: 2 screws M10x40 to DIN EN ISO 4762, 2 washers, 1 flat gasket

Washers Ø 10.5 to DIN 125

Flat gaskets made of PTFE, max. 420 bar (6092 psi), 80 °C (176 °F)

O-ring to DIN 3771, 20 x 2.65 – S – FPM90, max. 420 bar (6092 psi), 120 °C (248 °F)

**Note:** M10 screws only permissible up to PN 160 (2321 psi)!

**Selection and Ordering data**

Article No.

**Oval flange**

with female thread ½-14 NPT, max. working pressure 420 bar (6092 psi), flange connection to IEC 61518/DIN EN 61518, form A

**Material**

P250GH, mat. No.: 1.0460

X 2 CrNiMo 17 13 2, mat. No. 1.4404/316L

**7MF9408-2CE**
**7MF9408-2CL**
**Selection and Ordering data**

Order code

Article No.

**Further designs<sup>1)</sup>**

Please add **"-Z"** to Article No. and specify Order code.

**Accessory set to EN**

2x screws 7/16-20 UNF x 1½ inch to ASME B 18.2.3; chromized steel  
 1x flat gasket made of PTFE, max. permissible 420 bar (6092 psi), 80 °C (176 °F)

**E36**
**7MF9408-5DA**

2x screws 7/16-20 UNF x 1½ inch to ASME B 18.2.3; chromized steel  
 1x O-ring to DIN 3771, 20 x 2.65 - S - FPM90, max. permissible 420 bar (6092 psi), 120 °C (248 °F)

**E34**
**7MF9408-5CA**
**Accessory set to DIN**

2x screws M10x40 to DIN EN ISO 4762; chromized steel  
 2x washers Ø 10.5 mm to DIN 125;  
 1x O-ring to DIN 3771, 20 x 2.65 - S - FPM90, max. permissible 160 bar (2321 psi), 120 °C (248 °F)<sup>2)</sup>

**E13**
**7MF9408-6AA**

2x screws M10x40 to DIN EN ISO 4762; chromized steel  
 2x washers Ø 10.5 mm to DIN 125;  
 1x flat gasket made of PTFE, max. permissible 160 bar (2321 psi), 80 °C (176 °F)<sup>2)</sup>

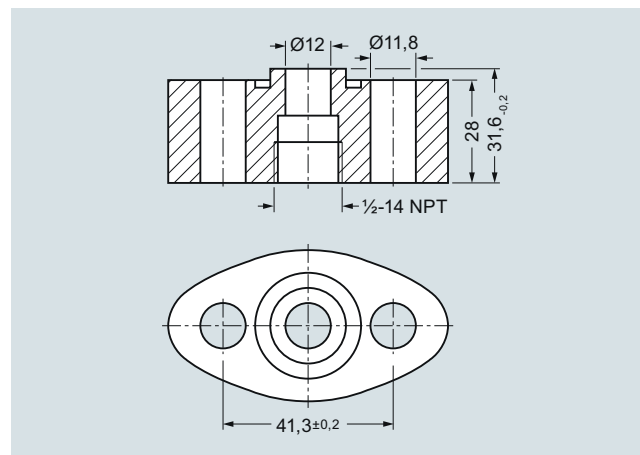
**E16**
**7MF9408-6BA**
**NACE MR-0175-certified**

incl. acceptance test certificate 3.1 to EN 10204

**D07**

<sup>1)</sup> When ordering accessory set together with the oval flange, please use Order code; otherwise use Article No.

<sup>2)</sup> Flange connections with M10 screws only permissible up to PN 160 (2321 psi)

**Dimensional drawings**


Oval flange 7MF9408-2C., dimensions in mm