

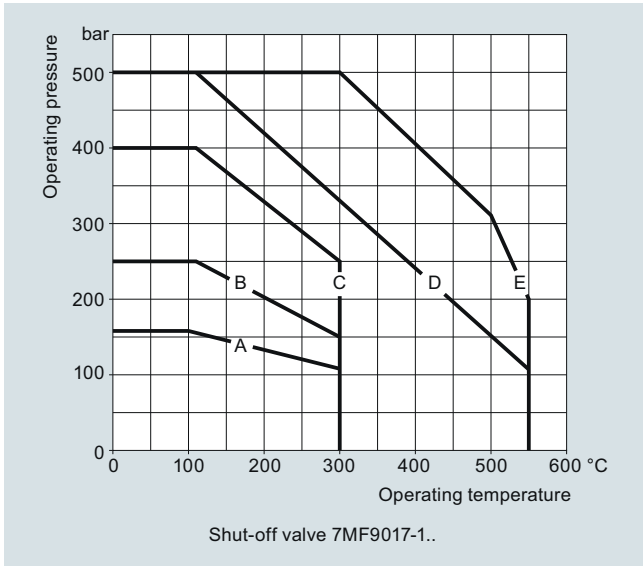
Overview

Primary shut-off valves are available in the following versions:

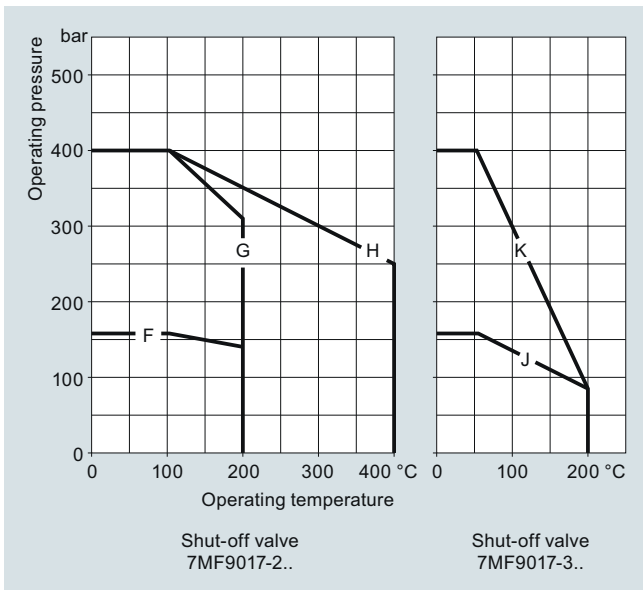
- For non-corrosive liquids, gases and vapors
- For corrosive liquids and gases
- Grease-free for oxygen

The shut-off valves are available in various materials and with various connections (see Selection and Ordering data)

Characteristic curves

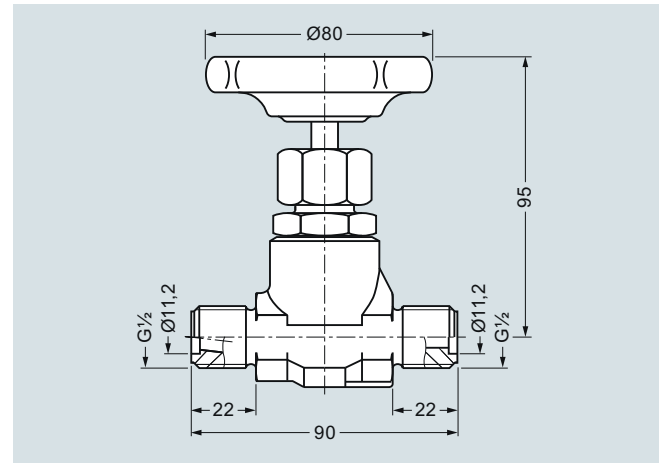


Shut-off valve 7MF9017-1.., permissible working pressure as a function of the permissible working temperature

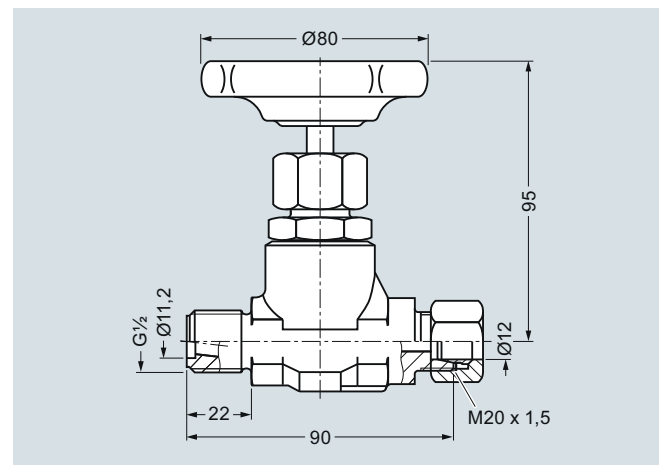


Shut-off valve 7MF9017-2.. and -3.., permissible working pressure as a function of the permissible working temperature

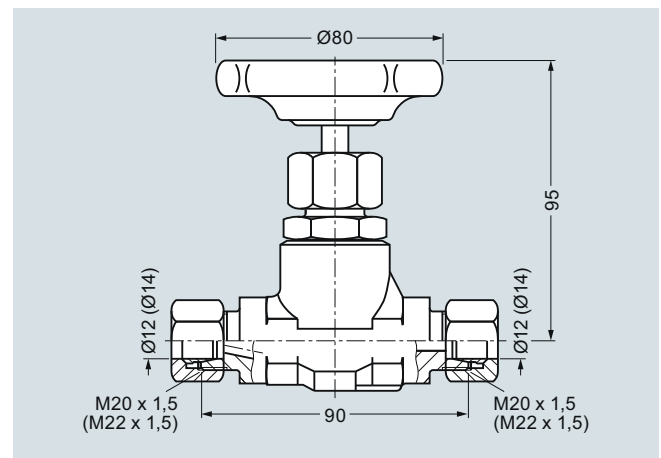
Dimensional drawings



Shut-off valve 7MF9017-1A., dimensions in mm



Shut-off valve 7MF9017-1B. and -2B., dimensions in mm



Shut-off valves 7MF9017-1C., -1D. and -2C., dimensions in mm

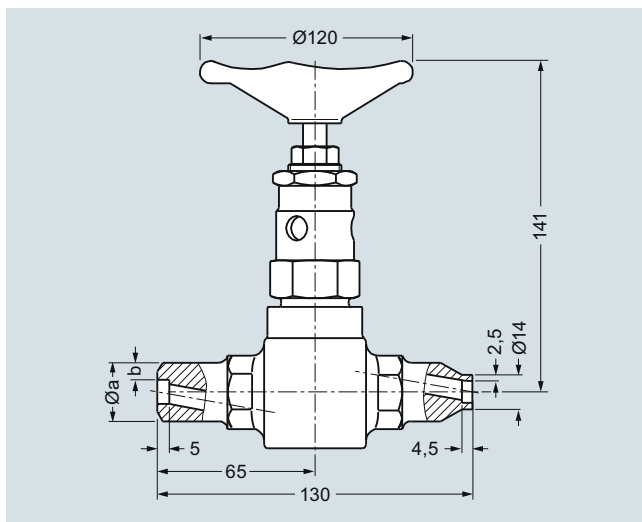
Pressure Measurement

Fittings

Accessories

1

Primary shut-off valves



Shut-off valves 7MF9017-, dimensions in mm

Ø A x b	7MF9017-
14 mm x 2.5 mm	1F. and 1G.
21.3 mm x 6.3 mm	1H. and 2H.
24 mm x 7.1 mm	1J., 1K. and 2J.

Selection and Ordering data

Primary shut-off valves, without certificate

Max. working pressure	Charac-teristic ¹⁾	Material	Mat. No.	Spindle thread	Connections	Approx. weight kg	Article No.
Shut-off valve for non-aggressive liquids, gases and vapors							7MF9017-1
Click on the Article No. for the online configuration in the PIA Life Cycle Portal.							A
160 bar (2321 psi)	A	P250GH	1.0460	Internal	Threaded socket G½ form R, DIN 19207	0.8	A
160 bar (2321 psi)	A	P250GH	1.0460	Internal	Threaded socket G½ form R, DIN 19207 and pipe union with ferrule for pipe Ø 12 mm, S series	0.8	B
400 bar (5800 psi)	C	P250GH	1.0460	Internal	Pipe union with ferrule for pipe Ø 12 mm, S series	1	C
400 bar (5800 psi)	C	P250GH	1.0460	Internal	Pipe union with ferrule for pipe Ø 14 mm, S series	1	D
500 bar (7252 psi)	D	16 Mo 3	1.5415	External	Welding sleeves Ø 14 mm x 2.5 mm	1.6	F
500 bar (7252 psi)	E	11 CrMo 9 10	1.7383	External	Welding sleeves Ø 14 mm x 2.5 mm	1.6	G
500 bar (7252 psi)	D	16 Mo 3	1.5415	External	Welding sleeves Ø 21.3 mm x 6.3 mm and Ø 14 mm x 2.5 mm	1.6	H
500 bar (7252 psi)	D	16 Mo 3	1.5415	External	Welding sleeves Ø 24 mm x 7.1 mm and Ø 14 mm x 2.5 mm	1.6	J
500 bar (7252 psi)	E	11 CrMo 9 10	1.7383	External	Welding sleeves Ø 24 mm x 7.1 mm and Ø 14 mm x 2.5 mm	1.6	K
Shut-off valve for aggressive liquids and gases							7MF9017-2
160 bar (2321psi)	F	X 6 CrNiMoTi 17 12 2	1.4571/316Ti	Internal	Threaded socket G½ form R, DIN 19207 and pipe union with ferrule for pipe Ø 12 mm, S series	0.8	B
400 bar (5800 psi)	G	X 6 CrNiMoTi 17 12 2	1.4571/316Ti	Internal	Pipe union with ferrule for pipe Ø 12 mm, S series	1	C
400 bar (5800 psi)	H	X 6 CrNiMoTi 17 12 2	1.4571/316Ti	External	Welding sleeves Ø 21.3 mm x 6.3 mm and Ø 14 mm x 2.5 mm	1.6	H
400 bar (5800 psi)	H	X 6 CrNiMoTi 17 12 2	1.4571/316Ti	External	Welding sleeves Ø 24 mm x 7.1 mm and Ø 14 mm x 2.5 mm	1.6	J

Accessories

Factory test certificate EN 10204-2.2

Material acceptance test certificate EN 10204-3.1

7MF9000-8AB
7MF9000-8AD

¹⁾ See Figure "Permissible working pressure as a function of the permissible working temperature"