

Level Measurement

Continuous level measurement

Ultrasonic transmitters

The Probe

Technical specifications

3-wire version	
Mode of operation	
Measuring principle	Ultrasonic level measurement
Input	
Measuring range	0.25 ... 5 m (0.8 ... 16.4 ft)
Frequency	54 kHz
Output	
mA	4 ... 20 mA
• Span	Proportional/ inversely proportional
• Max. load	750 Ω at 24 V DC
Relay	For level alarm or fault
Power supply	
Supply voltage	18 ... 30 V DC, max. 0.2 A
Max. power consumption	5 W (200 mA at 24 V DC)
Certificates and approvals	
CE, RCM, CSA _{US/C} , FM	
Accuracy	
Error in measurement	0.25 % of measuring range (in air)
Resolution	3 mm (0.125 inch)
Temperature compensation	Built in
Echo processing	Sonic Intelligence
Rated operation conditions	
Beam angle	12°
Ambient temperature	
• Standard	-40 ... +60 °C (-40 ... +140 °F)
• Metallic mounting	-20 ... +60 °C (-4 ... +140 °F)
Max. static operating pressure	Normal atmospheric pressure
Degree of protection	IP65
Design	
Weight	
• Without flange adapter	1.5 kg (3.3 lb)
• With flange adapter	1.7 kg (3.7 lb)
Material	
• Electronics enclosure	PVC
• Transducer	PVDF copolymer
Degree of protection	IP65
Process connection	<ul style="list-style-type: none"> • 2" NPT [(Taper), ANSI/ASME B1.20.1] • R 2" [(BSPT), EN 10226] • G 2" [(BSPP), EN ISO 228-1] • 4" sanitary
Flange adapter	3" Universal (fits DN 65, PN 10 and 3" ASME)
Cable inlet	2 inlets for PG 16 or ½" NPT cable glands

Selection and Ordering data

	Article No.
The Probe	7ML1201-000
Short-range integrated ultrasonic level transmitter, ideal for liquids and slurries in open or closed vessels	
Click on the Article No. for the online configuration in the PIA Life Cycle Portal.	
Measuring range	1
5 m (16.40 ft)	
Transducer/Process connection	E F G J
PVDF copolymer, 2" NPT [(Taper), ANSI/ASME B1.20.1]	
PVDF copolymer, R 2" [(BSPT), EN 10226]	
PVDF copolymer, G 2" [(BSPP), EN ISO 228-1]	
PVDF copolymer, 4" Sanitary mounting	
Model/Approval	E
3-wire, 24 V DC, CE, RCM, CSA, FM	

Selection and Ordering data

	Order code
Further designs	
Please add "-Z" to Article No. and specify Order code(s).	
Acrylic coated, stainless steel tag [13 x 45 mm (0.5 x 1.75 inch)]: Measuring-point number/identification (max. 20 characters) specify in plain text	Y17
Operating Instructions	
All literature is available to download for free, in a range of languages, at http://www.siemens.com/processinstrumentation/documentation	
Accessories	Article No.
Universal Box Bracket Mounting kit	7ML1830-1BK
Sanitary 4" mounting clamp	7ML1830-1BR
3" ASME, DN 65 PN 10, JIS 10K 3B ETFE Flange adapter for 2" NPT	7ML1830-1BT
3" ASME, DN 65 PN 10, JIS 10K 3B ETFE Flange adapter for 2" BSPT	7ML1830-1BU
2" NPT locknut, plastic	7ML1830-1DT
2" BSPT locknut, plastic	7ML1830-1DQ
Plastic M20 cable gland with metal locknut	7ML1930-1DB
SITRANS RD100, loop powered display - see Chapter 7	7ML5741-...
SITRANS RD200, universal input display with Modbus conversion - see Chapter 7	7ML5740-...
SITRANS RD300, dual line display with totalizer and linearization curve and Modbus conversion - see Chapter 7	7ML5744-...
SITRANS RD500 web, universal remote monitoring solution for instrumentation - see Chapter 7	7ML5750-...
For applicable back up point level switch see point level measurement section.	

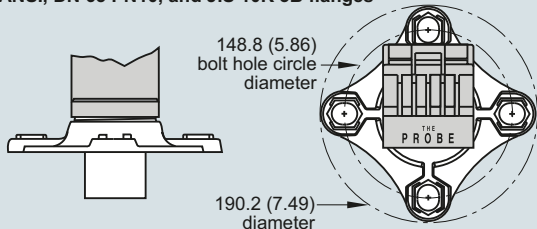
Level Measurement

Continuous level measurement
Ultrasonic transmitters

The Probe

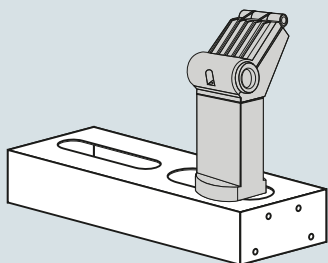
Options

Flange adapter for mating 2" NPT or 2" BSP process connections to 3" ANSI, DN 65 PN10, and JIS 10K 3B flanges



The Probe optional flange adapter, dimensions in mm (inch)

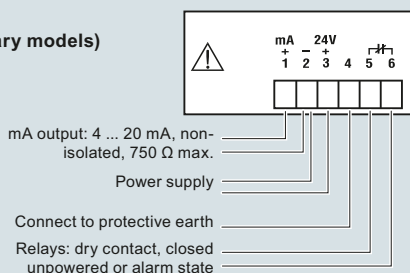
The Probe with FMS 200 mounting bracket



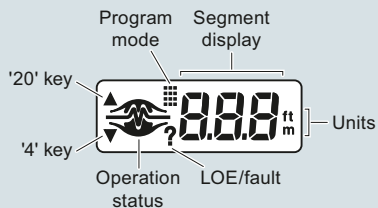
The Probe with optional mounting bracket

Circuit diagrams

3 wire model
(standard and sanitary models)



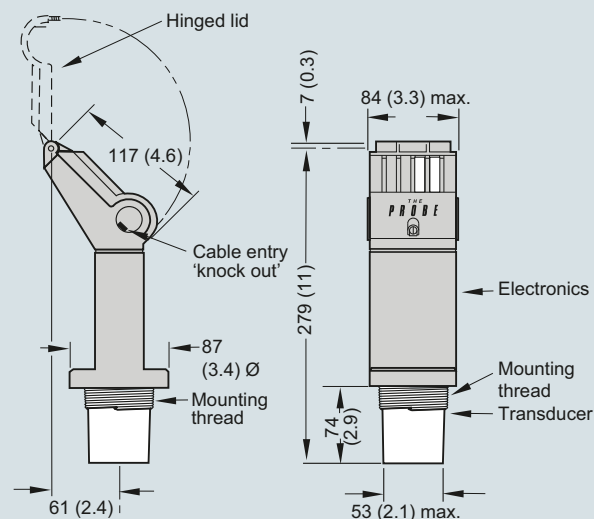
Display



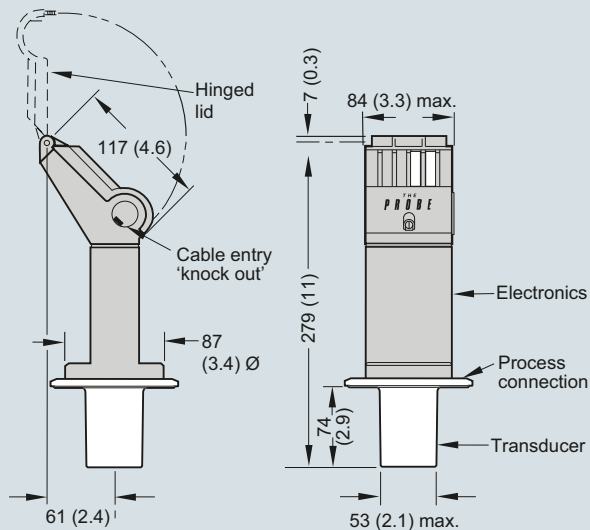
The Probe connections

Dimensional drawings

Standard model



Sanitary model



The Probe, dimensions in mm (inch)

Overview



The SITRANS LUT400 series controllers are compact, single point, long-range ultrasonic controllers for continuous level or volume measurement of liquids, slurries, solids, and high accuracy monitoring of open channel flow.

Benefits

- Small 1/2 DIN enclosure [144 h x 144 d x 146 w mm (5.7 x 5.7 x 5.75 inch)] with standard universal mounting bracket for wall, pipe, and DIN rail, plus an optional panel mount
- Easy to use HMI display with local four-button programming, menu-driven parameters, and Wizard support for key applications
- English, German, French, Spanish, Chinese, Italian, Portuguese, and Russian texts on the HMI.
- Level, Volume, OCM Flow monitoring
- Three relays combined with a suite of pump, alarm, and relay control features
- HART Communications
- EDDs for SIMATIC PDM, AMS Device Manager, and Field Communicator 375/475, plus DTMs for FDTs (Field Device Tools)
- Web browser for local programming from an intuitive web-based interface
- Two discrete inputs for backup level override and pump interlock functions
- Echo profile and trend views from the local display
- Patented digital receiver for improved performance in electrically noisy applications (close proximity to VSDs)
- Real time clock with daylight savings time, supporting an integrated datalogger and energy saving algorithms for minimizing pump operation during high cost energy periods
- Removable terminal blocks for ease of wiring
- MCERTS Certified for Open Channel Flow

Application

The SITRANS LUT400 comes in three different models, depending on the application, level of performance and functionality required:

- SITRANS LUT420 Level Controller: Level or volume measurement of liquids, slurries, and solids, as well as basic pump control functions, and basic data logging capability
- SITRANS LUT430 Level, Pump and Flow Controller: Includes all features of the LUT420 plus a full suite of advanced pump control and alarm functionality, open channel flow monitoring, and basic flow data logging capability
- SITRANS LUT440 High Accuracy OCM: Our most featured, highest accuracy model. Includes all features of the LUT430, plus the industry's best accuracy (± 1 mm within 3 m), full suite of advanced control functionality, and enhanced flow logging capability
- Key Applications: wet wells, reservoirs, flumes/weirs, chemical storage, liquid storage, hoppers, crusher bins, dry solids storage

Level Measurement

Continuous level measurement

Ultrasonic controllers

SITRANS LUT400 series

Technical specifications

Mode of Operation	Ultrasonic level, volume, pump, and open channel flow
Measuring range	0.3 ... 60 m (1 ... 196 ft), transducer dependent
Input	
Discrete	0 ... 50 V DC switching level Logical 0 ≤ 10 V DC Logical 1 = 10 ... 50 V DC Max. 3 mA
Output	
Transducer frequency	10 ... 52 kHz
Ultrasonic transducer	Compatible transducers: All Echo-Max and ST-H series transducers
Relays	<ul style="list-style-type: none"> • 1 SPDT Form C, NO or NC relay, rated 1A at 250 V AC, non-inductive and 3A at 30 V DC • 2 SPST Form A, NO relays, rated 5A at 250 V AC, non-inductive and 3 A at 30 V DC
mA output	4 ... 20 mA, isolated
Max. load	600 Ω max. in ACTIVE mode, 750 Ω max. in PASSIVE mode
Resolution	0.1 % of range
Accuracy	
Error in measurement	<ul style="list-style-type: none"> • Standard operation: ± 1 mm (0.04 inch) plus 0.17 % of measured distance • High accuracy OCM: ± 1 mm (0.04 inch), within 3 m (9.84 ft) range
Resolution	<ul style="list-style-type: none"> • Standard operation: 0.1 % of range or 2 mm (0.08 inch), whichever is greater • High accuracy OCM: 0.6 mm (0.02 inch), within 3 m (9.84 ft) range
Temperature compensation	<ul style="list-style-type: none"> • -40 ... +150 °C (-40 ... +300 °F) • Integral temperature sensor in transducer • External TS-3 temperature sensor (optional) • Programmable fixed temperature values
Rated operating conditions	
Installation conditions	
• Location	Indoor/outdoor
• Installation category	II
• Pollution degree	4
Ambient conditions	
• Ambient temperature (enclosure)	-20 ... +50 °C (-4 ... +122 °F)

Design	
Weight	
• Enclosure with display lid	1.3 kg (2.87 lb)
• Enclosure with blank lid	1.2 kg (2.65 lb)
Material (enclosure)	Polycarbonate
Degree of protection	
• Enclosure with display or blank lid	IP65/Type 4X/NEMA 4X
• Enclosure with blank lid and knock-out removed	IP20
Remote display lid	IP65/Type 3/NEMA 3
Cable	
Transducer and mA output signal	<ul style="list-style-type: none"> • Transducer, mA output: 2 copper conductors, twisted, with foil shield/drain wire, 300 V 0.5 ... 0.75 mm² (22 ... 18 AWG) • Relay/power to be copper conductors per local requirements to meet 250 V 5 A contact rating
Max. separation between transducer and transceiver	365 m (1 200 ft)
Displays and controls	60 x 40 mm (2.36 x 1.57 inch) removable LCD, 240 x 160 pixels resolution, operational up to 5 m from enclosure base
Programming	
• Primary	4 Local push buttons
• Secondary	<ul style="list-style-type: none"> • PC running SIMATIC PDM • PC running Emerson AMS Device Manager • PC running a web browser • PC running a Field Device Tool (FDT) • Field Communicator 375/475 (FC375/FC475)
Memory	<ul style="list-style-type: none"> • 512 kB flash EPROM • 1.5 MB flash for data logging
Power supply	
AC version	100 ... 230 V AC ± 15 %, 50/60 Hz, 36 VA Fuse: 5 x 20 mm, Slow Blow, 0.25 A, 250 V
DC version	10 ... 32 V DC, 10 W Fuse: 5 x 20 mm, Slow Blow, 1.6 A, 125 V
Certificates and approvals	
General	CSA _{US/C} , CE, FM, UL listed, RCM, EAC, KCC, MCERTS certified for Open Channel Flow
Hazardous	
• Non-incendive (Canada)	CSA Class I, Div. 2, Groups A, B, C, D; Class II, Div. 2, Groups F, G; Class III
• Shipping	Lloyd's Register, ABS
Communication	HART 7.0, USB

		SITRANS LUT420	SITRANS LUT430	SITRANS LUT440
Category	Feature	Level Controller	Level, pump and flow controller	High accuracy OCM controller
Operations	Level, space, and distance measurement	✓	✓	✓
	Open channel flow measurement		✓	✓
	Volume conversion	✓	✓	✓
Specifications	Compatible with EchoMax and ST-H transducers	✓	✓	✓
	Standard accuracy: $\pm 1 \text{ mm} + 0.17 \%$ of measured distance	✓	✓	✓
	High accuracy: $\pm 1 \text{ mm}$ within 3 meters			✓
	Mounting options: wall or panel, pipe, DIN-rail	✓	✓	✓
Data logging and communications	HART communications	✓	✓	✓
	4 ... 20 mA output (active and passive)	✓	✓	✓
	Integrated datalogger for measurement value and alarms	✓	✓	✓
	Integrated datalogger for fixed rate flow logging		✓	✓
	Integrated datalogger for variable rate flow logging triggered by changes in flow condition			✓
	Daily data logging for maximum, minimum and average flow, daily totalized volume, and minimum and maximum temperature		✓	✓
Flow monitoring	High accuracy open channel flow measurement			✓
	9 digit daily and running flow totalizers		✓	✓
	High and low flowrate alarms		✓	✓
	External totalizer and sampler control		✓	✓
	MCERTS Class 1 Certification			✓
	MCERTS Class 2 Certification		✓	
Pump control	Energy saving algorithms for pump control		✓	✓
	Wall cling reduction	✓	✓	✓
	Pump run-on functionality		✓	✓
	Pump start and power resumption delays		✓	✓
	Alternate duty pump routines	✓	✓	✓
	Fixed duty and service ratio pump routines		✓	✓
	Pumped volume totalizer		✓	✓
	Submergence detection	✓	✓	✓
	Discrete input pump interlocks		✓	✓
	Time to spill calculation		✓	✓

Level Measurement

Continuous level measurement

Ultrasonic controllers

SITRANS LUT400 series

4


Selection and Ordering data	Article No.	Selection and Ordering data	Article No.
SITRANS LUT420 and LUT430 Compact ultrasonic level controllers for continuous short to long-range level or volume measurement of liquids, slurries, and solids. Both units include basic relay functions for pumps, alarms, and other controls, plus onboard data logging. LUT430 offers additional advanced pump control and alarm functionality, open channel flow monitoring, and basic flow data logging capability. Functionality varies by model. ↗ Click on the Article No. for the online configuration in the PIA Life Cycle Portal.	7ML5050- 	Accessories Tag, stainless steel, 12 x 45 mm (0.47 x 1.77 inch), one text line, suitable for enclosure TS-3 Temperature Sensor - see TS-3 on page 4/195 Panel mount cable extension, 2.5 m (8.2 ft) Qty 3 cable glands and retaining nuts USB cable, 2 m (6.56 ft) - Standard USB-A to USB-mini B Hart modem/USB (for use with a PC and SIMATIC PDM) Sunshield, 304 stainless steel SITRANS RD100, loop powered display - see Chapter 7 SITRANS RD200, universal input display with Modbus conversion - see Chapter 7 SITRANS RD300, dual line display with totalizer and linearization curve and Modbus conversion - see Chapter 7 SITRANS RD500 web, universal remote monitoring solution for instrumentation - see Chapter 7	7ML1930-1AC 7ML1813-... 7ML1930-1GF 7ML1930-1GB 7ML1930-1GD 7MF4997-1DB 7ML1930-1GE 7ML5741-... 7ML5740-... 7ML5744-... 7ML5750-...
Model SITRANS LUT420 - Level controller SITRANS LUT430 - Level, Pump & Flow controller	A B	Spare parts Panel mount retrofit kit (convert standard unit with display to panel mount version) Terminal block replacement kit (5 piece kit with one of each removable terminal) Wall/Pipe mount plate Enclosure (include blank label) SITRANS LUT400 Lid (with Display) SITRANS LUT400 Lid (blank) Fuse - AC (0.25 A, 250 V, Slow Blow) Fuse - DC (1.6 A, 125 V, Slow Blow) Panel mount gasket and fastener kit DIN-rail clip LUT420, assembly, DC, board stack with cradle, hazardous LUT420, assembly, AC, board stack with cradle, hazardous LUT430, assembly, DC, board stack with cradle, hazardous LUT430, assembly, AC, board stack with cradle, hazardous	7ML1830-1PA 7ML1830-1PB 7ML1830-1PC 7ML1830-1PD 7ML1830-1PE 7ML1830-1PF 7ML1830-1PG 7ML1830-1PH 7ML1830-1PK 7ML1830-1PL A5E42824561 A5E42824563 A5E42824565 A5E42824570
Enclosure display options With display With remote panel mount display [Includes panel mount cable extension, 2.5 m (8.2 ft)] No display (blank lid provided) Note: Enclosure includes back-plate for wall and pipe mounting, and an integrated clip for DIN-rail mounting. DIN-rail mounting for standard TS35 x 7.5 and TS35 x 15 mm DIN-rail to IEC 60715, EN 60715	A B C		
Input voltage 100 ... 230 V AC ± 15 % 10 ... 32 V DC	1 2		
Cable inlet 3 cable inlets, cable glands not supplied 3 cable inlets, 3 M20 plastic cable glands supplied	1 2		
Number of measurement points Single point system (includes one transducer input, one mA output, and one external temperature sensor input)	1		
Communications and I/O HART, 2 discrete inputs, 3 relays	D		
Approvals General purpose CE, FM, CSA _{US/C} , UL, RCM, EAC, KCC Hazardous locations CSA Class I, II, III, Div. 2, Groups A, B, C, D, F, G	A C		
Selection and Ordering data	Order code		
Further designs Please add " -Z " to Article No. and specify Order code(s). Manufacturer's test certificate M to DIN 55350, Part 18 and to ISO 9000 Stainless steel tag [69 x 50 mm (2.71 x 1.97 inch)]: Measuring-point number/identification (max. 27 characters) specify in plain text Namur NE43 failsafe setting - device preset to failsafe < 3.6 mA	C11 Y15 N07		
Operating Instructions English German Note: The Operating Instructions should be ordered as a separate line item on the order. All literature is available to download for free, in a range of languages, at http://www.siemens.com/processinstrumentation/documentation	Article No. A5E33329501 A5E35690863		

Level Measurement

Continuous level measurement

Ultrasonic controllers

SITRANS LUT400 series

Selection and Ordering data	Article No.	Selection and Ordering data	Article No.
SITRANS LUT440 The SITRANS LUT440 is the most accurate and featured model in the LUT400 series. It includes high accuracy open channel monitoring, relay functions for external samplers, totalizers, alarms, and enhanced data logging, as well as all pump and control functions available with other models in the LUT400 series. ↗ Click on the Article No. for the online configuration in the PIA Life Cycle Portal.	7ML5050- 	Accessories Tag, stainless steel, 12 x 45 mm (0.47 x 1.77 inch), one text line, suitable for enclosure TS-3 Temperature Sensor - see TS-3 on page 4/195 Panel mount cable extension 2.5 m (8.2 ft) Qty 3 cable glands and retaining nuts USB cable 2 m (6.56 ft) - Standard USB-A to USB-mini B HART modem/USB (for use with PC and SIMATIC PDM) Sunshield, 304 stainless steel SITRANS RD100, loop powered display - see Chapter 7 SITRANS RD200, universal input display with Modbus conversion - see Chapter 7 SITRANS RD300, dual line display with totalizer and linearization curve and Modbus conversion - see Chapter 7 SITRANS RD500 web, universal remote monitoring solution for instrumentation - see Chapter 7	7ML1930-1AC 7ML1813-... 7ML1930-1GF 7ML1930-1GB 7ML1930-1GD 7MF4997-1DB 7ML1930-1GE 7ML5741-... 7ML5740-... 7ML5744-... 7ML5750-...
Model SITRANS LUT440 - High accuracy Open Channel Monitor ¹⁾	C	Spare parts Panel mount retrofit kit (convert standard unit with display to panel mount version) Terminal block replacement kit (5 piece kit with one of each removable terminal) Wall/Pipe mount plate Enclosure (include blank label) SITRANS LUT400 Lid (with Display) SITRANS LUT400 Lid (blank) Fuse - AC (0.25 A, 250 V, Slow Blow) Fuse - DC (1.6 A, 125 V, Slow Blow) Panel mount gasket and fastener kit DIN-rail clip LUT440, assembly, DC, board stack with cradle, hazardous LUT440, assembly, AC, board stack with cradle, hazardous	7ML1830-1PA 7ML1830-1PB 7ML1830-1PC 7ML1830-1PD 7ML1830-1PE 7ML1830-1PF 7ML1830-1PG 7ML1830-1PH 7ML1830-1PK 7ML1830-1PL A5E42847454 A5E42847456
Enclosure display options With display With remote panel mount display [includes panel mount cable extension, 2.5 m (8.2 ft)] No display (blank lid provided) Note: Enclosure includes back-plate for wall and pipe mounting, and an integrated clip for DIN-rail mounting. DIN-rail mounting for standard TS35 x 7.5 and TS35 x 15 mm DIN-rail to IEC 60715, EN 60715	A B C		
Input voltage 100 ... 230 V AC ± 15 % 10 ... 32 V DC	1 2		
Cable inlet 3 cable inlets, cable glands not supplied 3 cable inlets, 3 M20 plastic cable glands supplied	1 2		
Number of measurement points Single point system (includes one transducer input, one mA output, and one external temperature sensor input)	1		
Communications and I/O HART, 2 discrete inputs, 3 relays	D		
Approvals General purpose CE, FM, CSA _{US/C} , UL, RCM, EAC, KCC Hazardous locations CSA Class I, II, III, Div. 2, Groups A, B, C, D, F, G	A C		
¹⁾ Compatible with all EchoMax Transducers. High accuracy OCM performance with the use of an XRS-5 transducer and TS-3 temperature sensor (each sold separately).			
Selection and Ordering data	Order code		
Further designs Please add "-Z" to Article No. and specify Order code(s).			
Manufacturer's test certificate M to DIN 55350, Part 18 and to ISO 9000	C11		
Stainless steel tag [69 x 50 mm (2.71 x 1.97 inch)]: Measuring-point number/identification (max. 27 characters) specify in plain text	Y15		
Namur NE43 failsafe setting - device preset to failsafe < 3.6 mA	N07		
Operating Instructions	Article No.		
English	A5E33329501		
German	A5E35690863		
Note: The Operating Instructions should be ordered as a separate line item on the order. All literature is available to download for free, in a range of languages, at http://www.siemens.com/processinstrumentation/documentation			

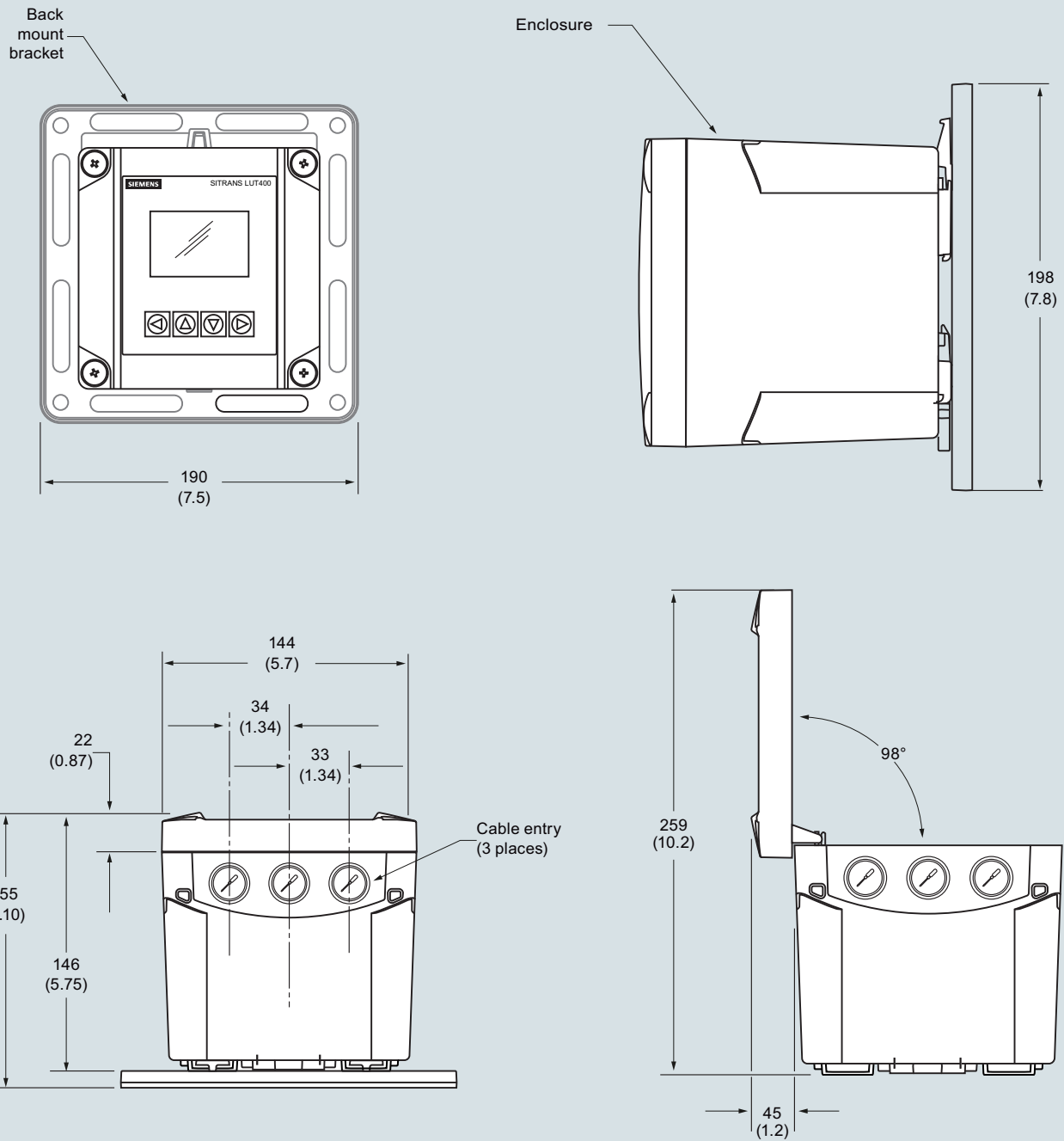
Level Measurement

Continuous level measurement

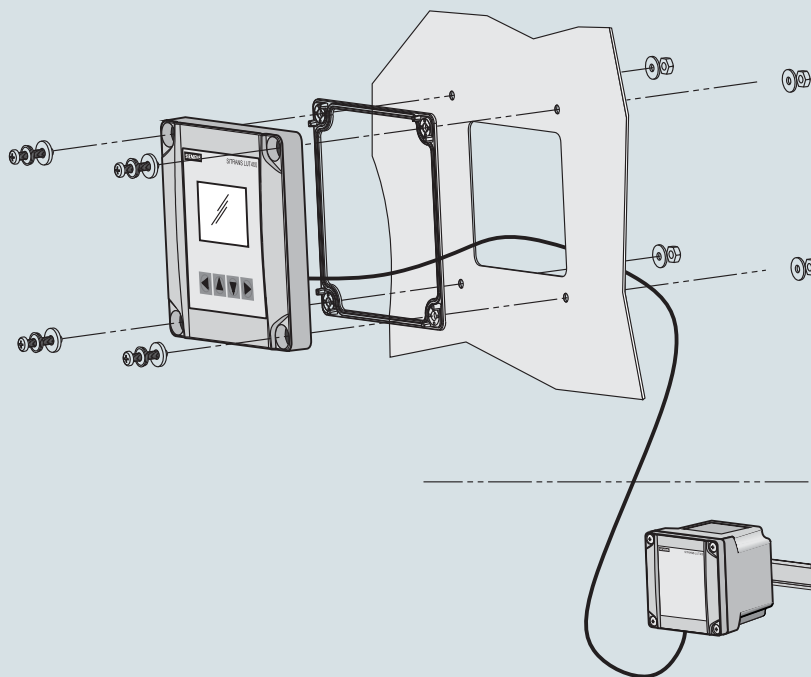
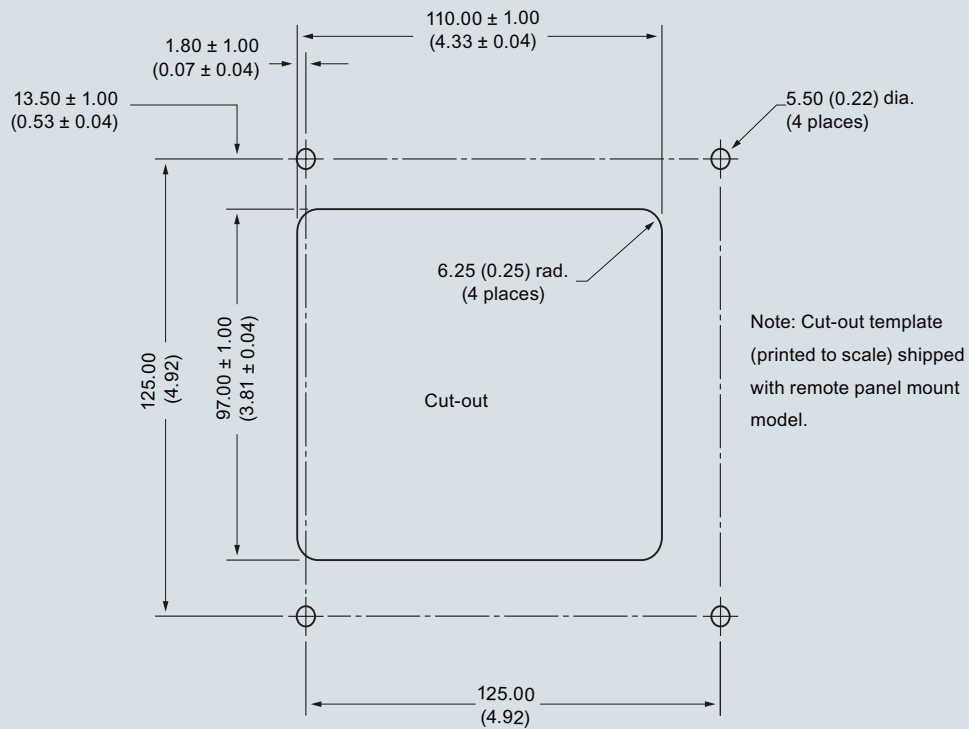
Ultrasonic controllers

SITRANS LUT400 series

Dimensional drawings



SITRANS LUT400, dimensions in mm (inch)



SITRANS LUT400, dimensions in mm (inch)

Level Measurement

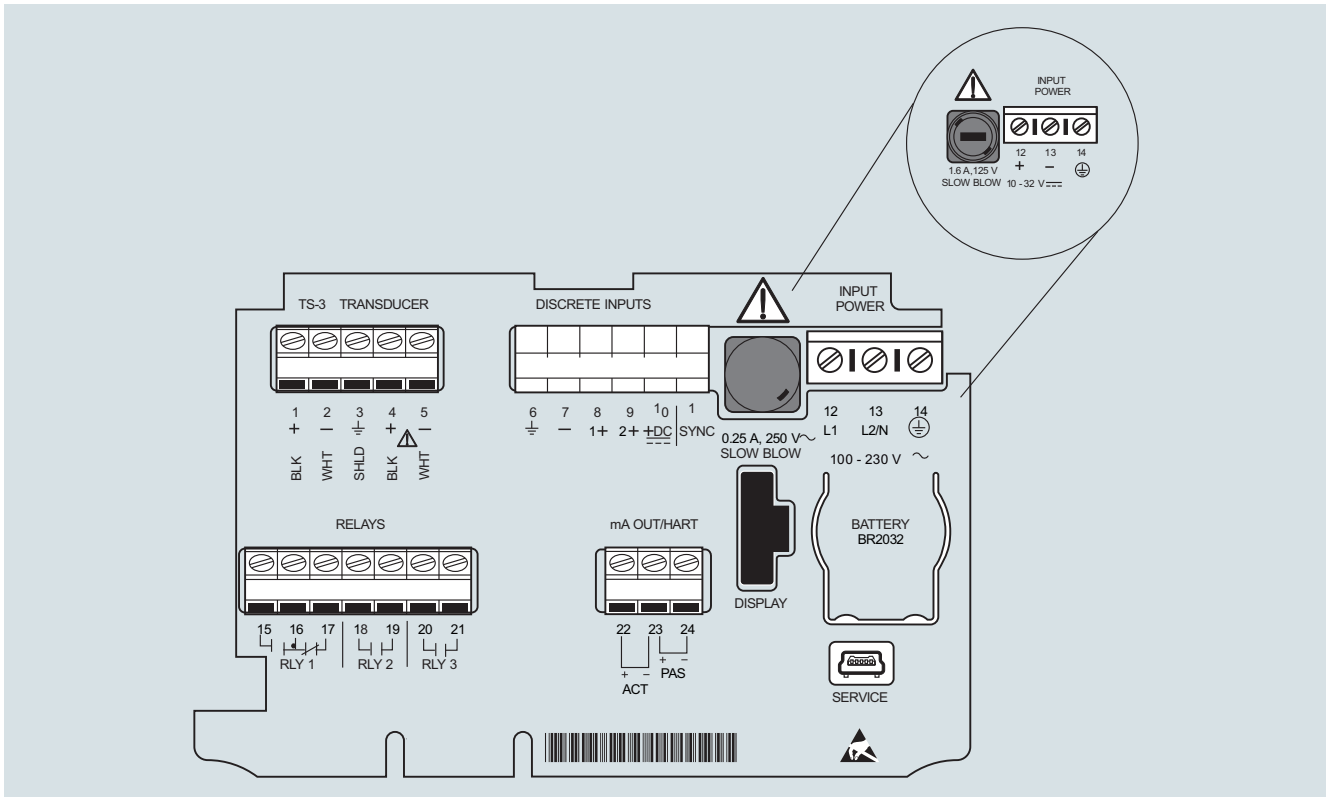
Continuous level measurement

Ultrasonic controllers

SITRANS LUT400 series

Circuit diagrams

4



SITRANS LUT400 connections