

Pressure Measurement

Pressure transmitters
for applications with highest requirements (Premium)
SITRANS P500

1

Accessories/Spare parts

Selection and Ordering data

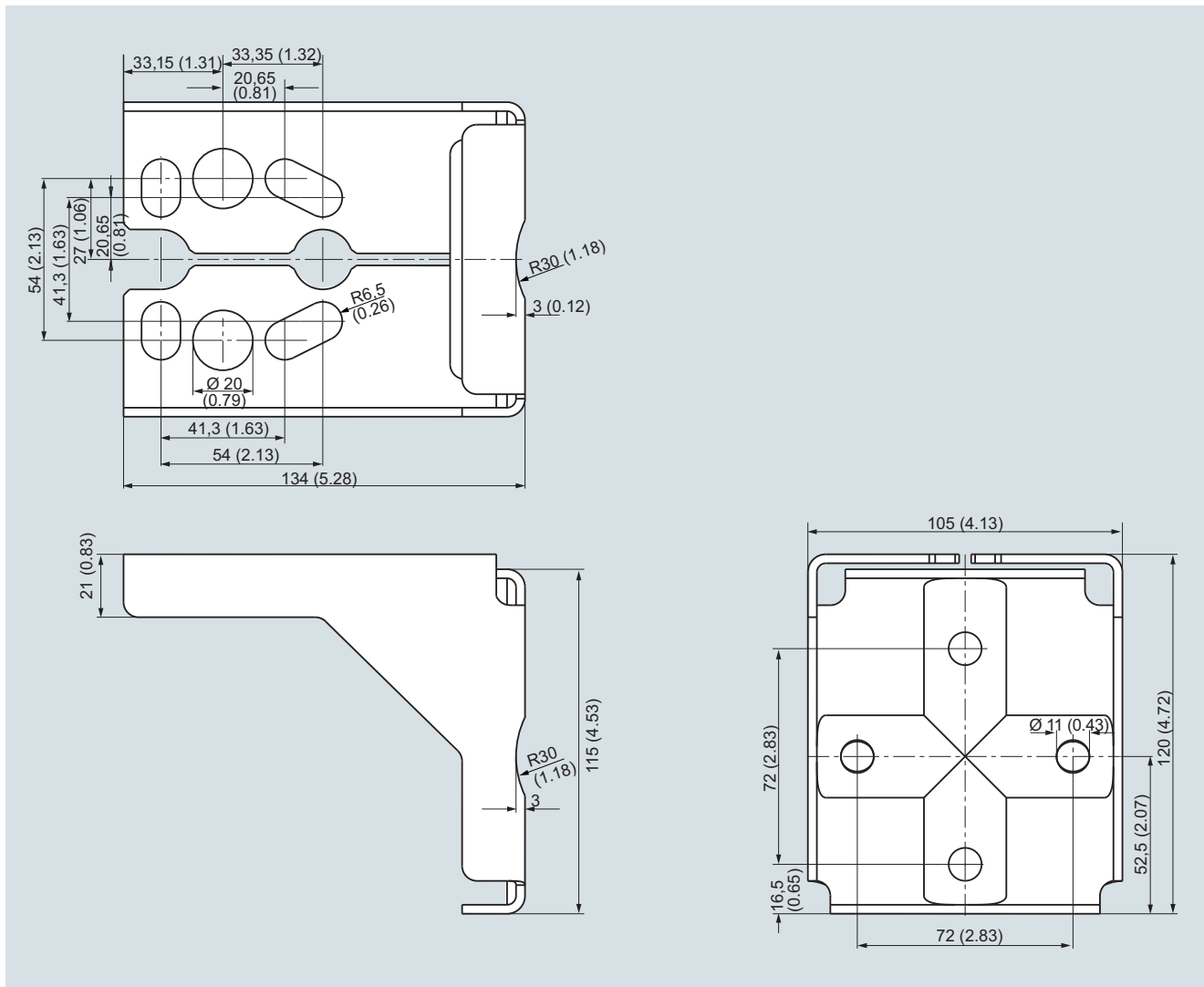
	Article No.
Mounting brackets For differential pressure transmitters with flange thread M10 (7MF54...10 and 7MF54...50) <ul style="list-style-type: none"> Made of steel Made of stainless steel 	7MF5987-1AA 7MF5987-1AD
Mounting brackets for differential pressure transmitter with flange thread 7/16-20 UNF (7MF54...00 and 7MF54...40) <ul style="list-style-type: none"> Made of steel Made of stainless steel 	7MF5987-1AC 7MF5987-1AF
Cover Made of die-cast aluminum, including O-ring <ul style="list-style-type: none"> Without inspection window With inspection window Made of stainless steel, including seal	7MF5987-1BE 7MF5987-1BF
Digital indicator Including mounting material	7MF5987-1BR
TAG plate (incl. fastening material) Without inscription (5 pcs.) Printed (1 pc.) Data according to Y01 or Y02, Y15 and Y16 (see "SITRANS P transmitters")	7MF5987-1CA 7MF5987-1CB-Z Y...:
Mounting screws For TAG plate, grounding and connection terminals and securing and locking screws (30 units)	7MF5987-1CC
Sealing plugs for process flange (1 set = 2 units) <ul style="list-style-type: none"> Made of stainless steel Made of Hastelloy 	7MF4997-1CG 7MF4997-1CH
Screw plugs with valve Complete (1 set = 2 parts) <ul style="list-style-type: none"> Made of stainless steel Made of Hastelloy 	7MF4997-1CP 7MF4997-1CQ
Connection board (incl. fastening material) HART, intrinsically safe Ex ia for installation in transmitter casing (observe warranty conditions)	7MF5987-1DM
Push buttons assembly (incl. fastening material) For replacement of operating keys for on-site operation of the transmitter	7MF5987-2AF
Sealing ring for <ul style="list-style-type: none"> Process connection NBR sealing ring for screw cover (10 pcs.) NBR sealing ring for interface measuring cell/housing (10 pcs.) 	See catalog FI01, "Fittings" 7MF4997-2EA 7MF4997-2EB

Selection and Ordering data

	Article No.
Documentation The entire documentation is available for download free-of-charge in various languages at: http://www.siemens.com/processinstrumentation/documentation Compact operating instructions <ul style="list-style-type: none"> German, Spanish, French, Italian, Dutch Estonian, Latvian, Lithuanian, Polish, Romanian Bulgarian, Czech, Finnish, Slovakian, Slovenian Danish, Greek, Portuguese, Swedish, Hungarian Russian 	A5E02344532 A5E02307339 A5E02307340 A5E02307341 A5E02307338
HART modem With USB interface	7MF4997-1DB
Certificates (order only via SAP) additional to internet download <ul style="list-style-type: none"> Hard copy (to order) On DVD (to order) 	A5E03252406 A5E03252407

For power supply units, see catalog FI01 "Supplementary Components".

Dimensional drawings



Mounting bracket for SITRANS P pressure transmitter, P500 series, measurements in mm (inch)

Mounting bracket material: Sheet-steel Mat. No. 1.0330, chrome-plated, or stainless steel Mat. No. 1.4301 (304)

Pressure Measurement

Pressure transmitters

for applications with highest requirements (Premium)

SITRANS P500

1

Factory-mounting of valve manifolds on transmitters

Overview

The SITRANS P500 transmitter can be delivered factory-fitted with the following valve manifolds:

- Valve manifolds 7MF9411-5BA: Three valve manifold for differential pressure transmitter
- Valve manifolds 7MF9411-5CA: Three valve manifold for differential pressure transmitter

Design

The 7MF9411-5BA and 7MF9411-5CA valve manifolds are sealed with PTFE sealing rings between the transmitter and the valve manifold.

Once installed, the complete unit is checked under pressure for leaks (compressed air 6 bar (2411 inH₂O)) and is certified leak-proof with a test report to EN 10204 - 2.2.

All valve manifolds should preferably be secured with the respective mounting brackets. The transmitters are mounted on the valve manifold and not on the unit itself.

If you order a mounting bracket when choosing the option "Factory mounting of valve manifolds", you will receive a mounting bracket for the valve manifold instead of a bracket for mounting the transmitter.

If you order an acceptance test certificate 3.1 to EN 10204 when choosing the option "Factory mounting of valve manifolds", a separate certificate is provided for the transmitters and the valve manifold respectively.

Selection and ordering Data

Valve manifold 7MF9411-5BA on SITRANS P pressure transmitter P500 for differential pressure and flow



Add -Z to the Article No. of the transmitter and add Order codes

Order code

SITRANS P500 7MF54...-...

mounted with gaskets made of PTFE and screws made of

- Chromized steel
- Stainless steel

U01

U02

Delivery incl. high-pressure test certified by factory certificate to EN 10204-2.2

Further designs:

Delivery includes mounting bracket and mounting clips made of

- Steel
- Stainless steel

A01

A02

(instead of the mounting bracket supplied with the transmitter)

Supplied acceptance test certificate to EN 10204-3.1 for transmitters and mounted valve manifold

C12

Valve manifold 7MF9411-5CA on SITRANS P500 pressure transmitter for differential pressure and flow



Add -Z to the Article No. of the transmitter and add Order codes

Order code

SITRANS P500 7MF54...-...

mounted with gaskets made of PTFE and screws made of

- Chromized steel
- Stainless steel

U03

U04

Delivery incl. high-pressure test certified by factory certificate to EN 10204-2.2

Further designs:

Delivery includes mounting bracket and mounting clips made of

- Steel
- Stainless steel

A01

A02

(instead of the mounting bracket supplied with the transmitter)

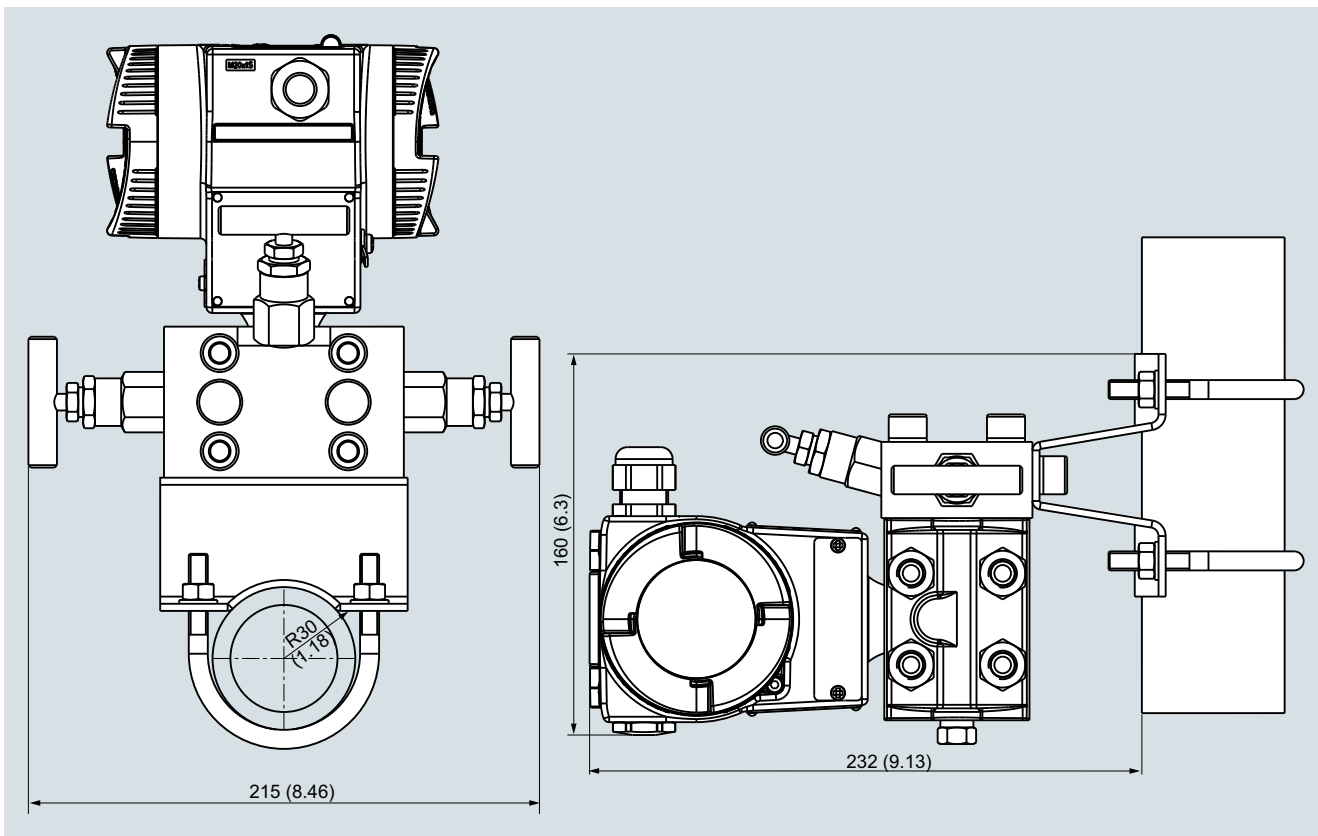
Supplied acceptance test certificate to EN 10204-3.1 for transmitters and mounted valve manifold

C12

Dimensional drawings



Valve manifold 7MF9411-5BA with attached SITRANS P500 pressure transmitter for differential pressure and flow (incl. mounting bracket)



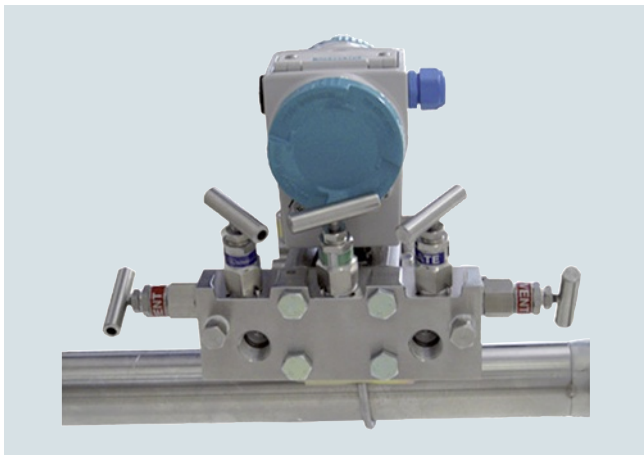
Valve manifold 7MF9411-5BA with attached SITRANS P500 pressure transmitter for differential pressure and flow, measurements in mm (inch)

Pressure Measurement

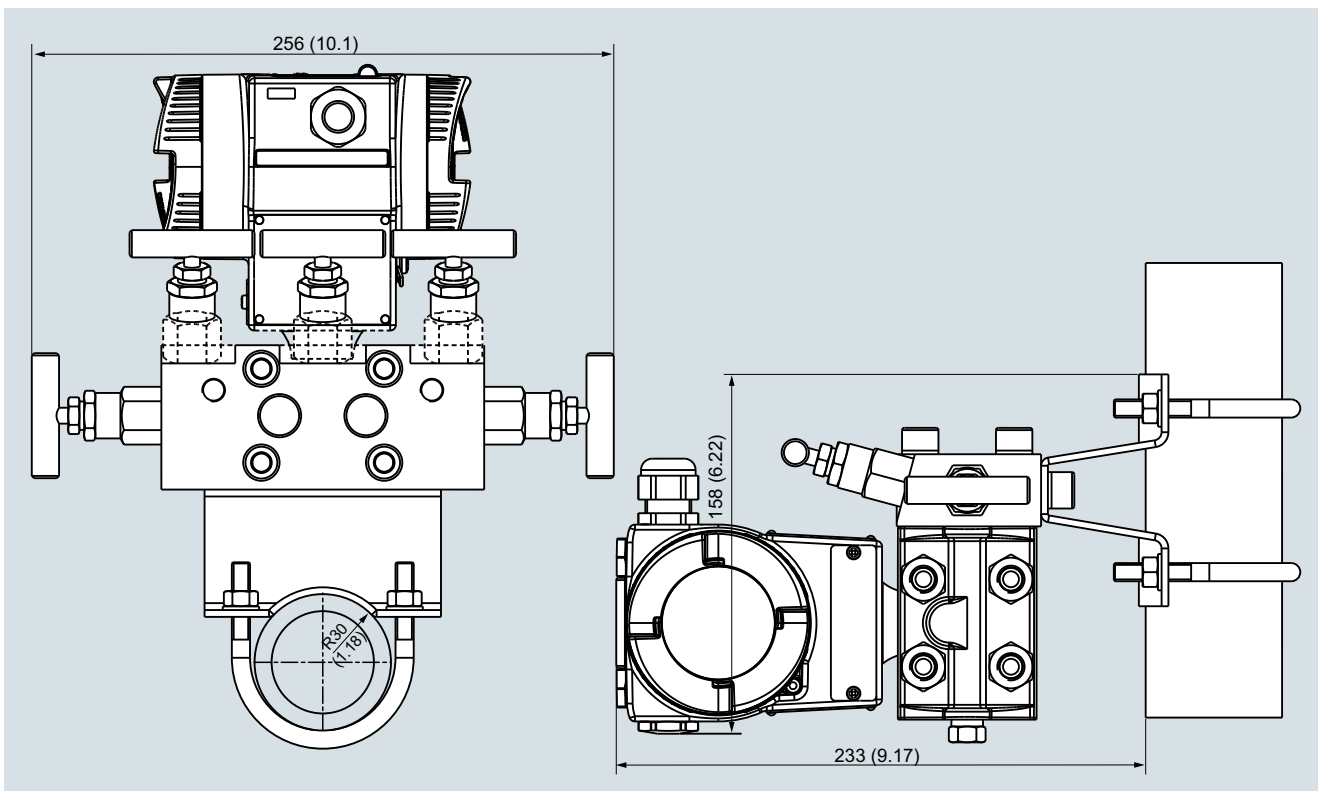
Pressure transmitters
for applications with highest requirements (Premium)
SITRANS P500

1

Factory-mounting of valve manifolds on transmitters



Valve manifold 7MF9411-5CA with attached SITRANS P500 pressure transmitter for differential pressure and flow (incl. mounting bracket)



Valve manifold 7MF9411-5CA with attached SITRANS P500 pressure transmitter for differential pressure and flow, measurements in mm (inch)