

Overview



The low-pressure multiway cock 7MF9004-4CA/-4DA can be flanged to pressure transmitters for differential pressure.

Benefits

- Robust design
- For liquids and gases
- One-hand operation

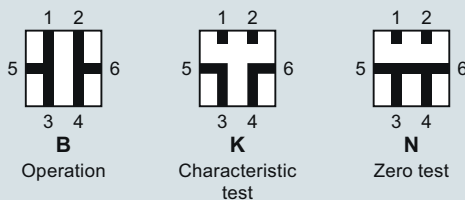
Design

The multiway cock has 2 process connections and 2 test connections, which are available in 2 versions (with sealing screws $G^{3/8}$ or quick-release couplings). The housing is made of hot-pressed brass CuZn39Pb3, CW 614N. Test connections with sealing screws or with self-sealing quick-release couplings.

Note: An accessory set is always required for flanging of the multiway cock to a differential pressure transmitter.

Function

- Shutting off the differential pressure lines
- Testing the pressure transmitter zero
- Testing the pressure transmitter characteristic



Cock positions; the symbols are printed on the cock

Selection and Ordering data

Article No.

Low-pressure multiway cock

for liquids and gases, for flanging to pressure transmitters, max. working pressure 25 bar (363 psi), max. working temperature 60 °C (140 °F) (up to 80 °C (176 °F) for a short time), weight 1.75 kg (without accessory set)

Test connections

2x sealing screws $G^{3/8}$

7MF9004-4CA

2x quick-release couplings

7MF9004-4DA

Accessories

Test report to EN 10204-3.1

7MF9000-8AB

Material acceptance test certificate to EN 10204-3.1

7MF9000-8AD

Selection and Ordering data

Order code

Article No.

Further designs¹⁾

Please add "-Z" to Article No. and specify Order code.

Accessory set to EN

(required for flanging, weight 0.2 kg)

L31

7MF9004-5CC

4x screws $7/16$ -20 UNF x 1 inch to ASME B18.2.1; chromized steel
2x gaskets made of PTFE, max. permissible temperature 80 °C (176 °F)

Accessory set to DIN

(required for flanging, weight 0.2 kg)

4x screws M10x25 to DIN EN 24017; chromized steel
4x washers \varnothing 10.5 mm to DIN 125;
2x gaskets made of PTFE, max. permissible temperature 80 °C (176 °F)

L11

7MF9004-6AD

- Standard design
- Version for oxygen

L15

7MF9004-6AE

Multiway cock in oil-free and grease-free design

BAM-tested lubricant, gasket suitable for oxygen

S11

Mounting bracket

required for wall mounting or for securing on rack (72 mm grid), made of electrogalvanized sheet-steel, weight 0.85 kg

M13

7MF9004-6AA

¹⁾ When ordering accessory set or mounting together with the multiway cock, please use Order code; otherwise use Article No.

Pressure Measurement

Fittings

Shut-off valves for differential pressure transmitters

1

Low-pressure multiway cock

Accessories

Accessory set for low-pressure multiway cock

- L31: 4 screws $7/16$ -20 UNF x 1 inch, 2 flat gaskets
- L11: 4 screws M10x25 to DIN EN 24017, 4 washers, 2 flat gaskets
- L15 (suitable for oxygen): 4 screws M10x25 to DIN EN 24017, 4 washers, 2 flat gaskets

Washers \varnothing 10.5 to DIN 125

Flat gaskets made of PTFE, max. permissible temperature 80 °C (176 °F)

Multiway cock in oil-free and grease-free design

- S11: BAM-tested lubricant, gasket suitable for oxygen

Mounting brackets

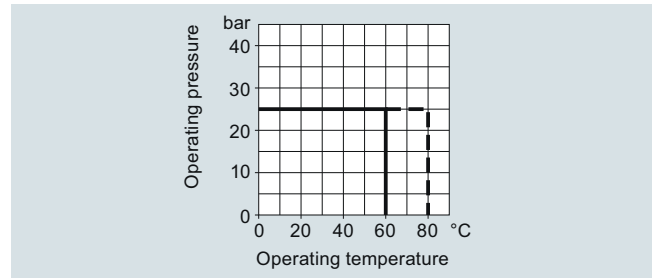
- M13: Required for wall mounting or for securing on rack (72 mm grid); made of electrogalvanized sheet-steel

Options

Test connections

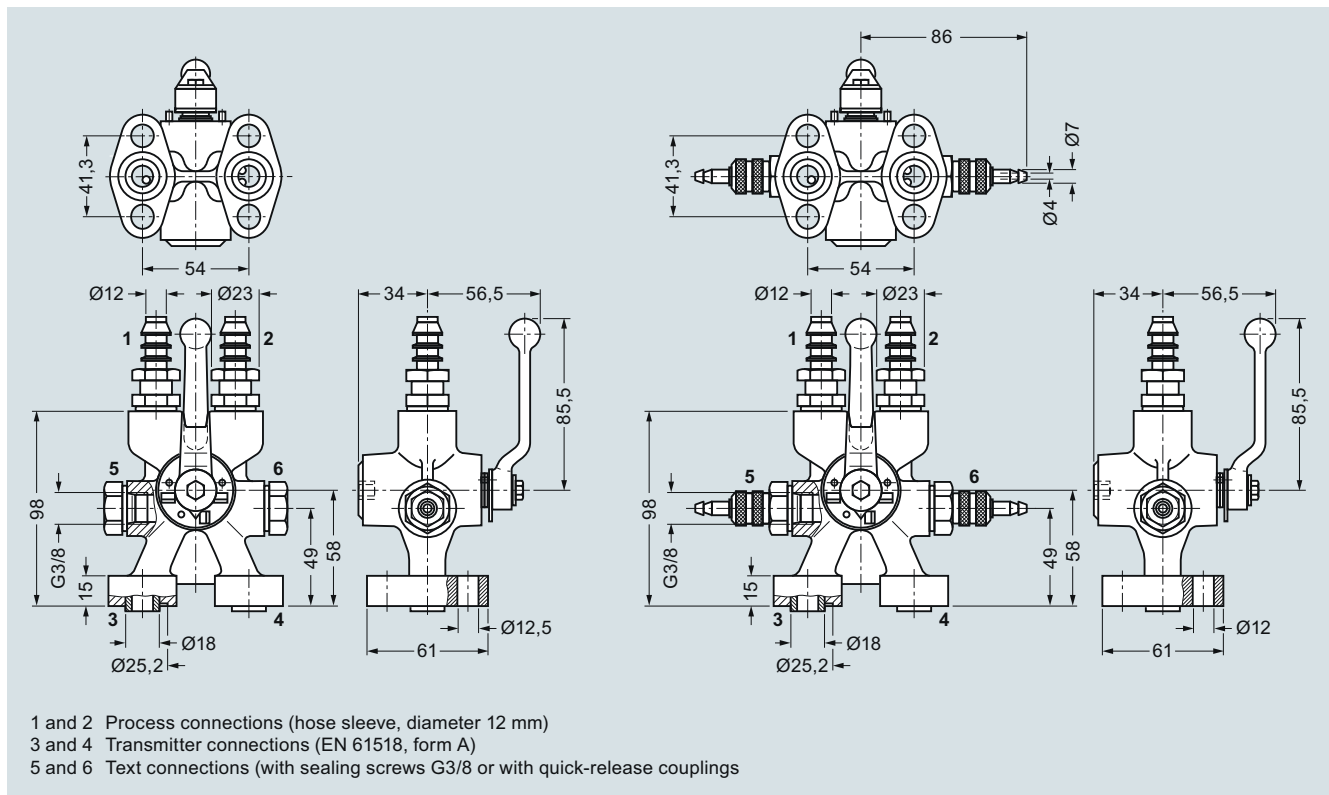
- 2 sealing screws $G^{3/8}$
- 2 quick-release couplings

Characteristic curves

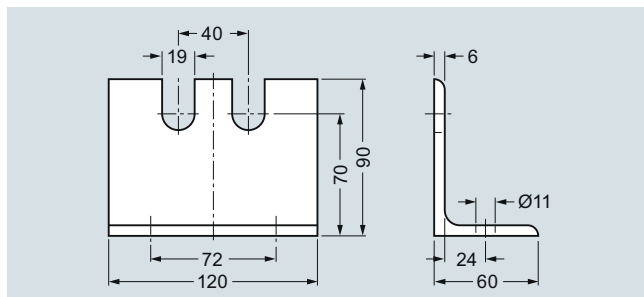


Low-pressure multiway cock, permissible operating pressure as a function of the permissible operating temperature

Dimensional drawings



Low-pressure multiway cock 7MF9004-4CA/-4DA for direct flanging to pressure transmitters for differential pressure, dimensions in mm



Mounting bracket 7MF9004-6AA (M13), dimensions in mm